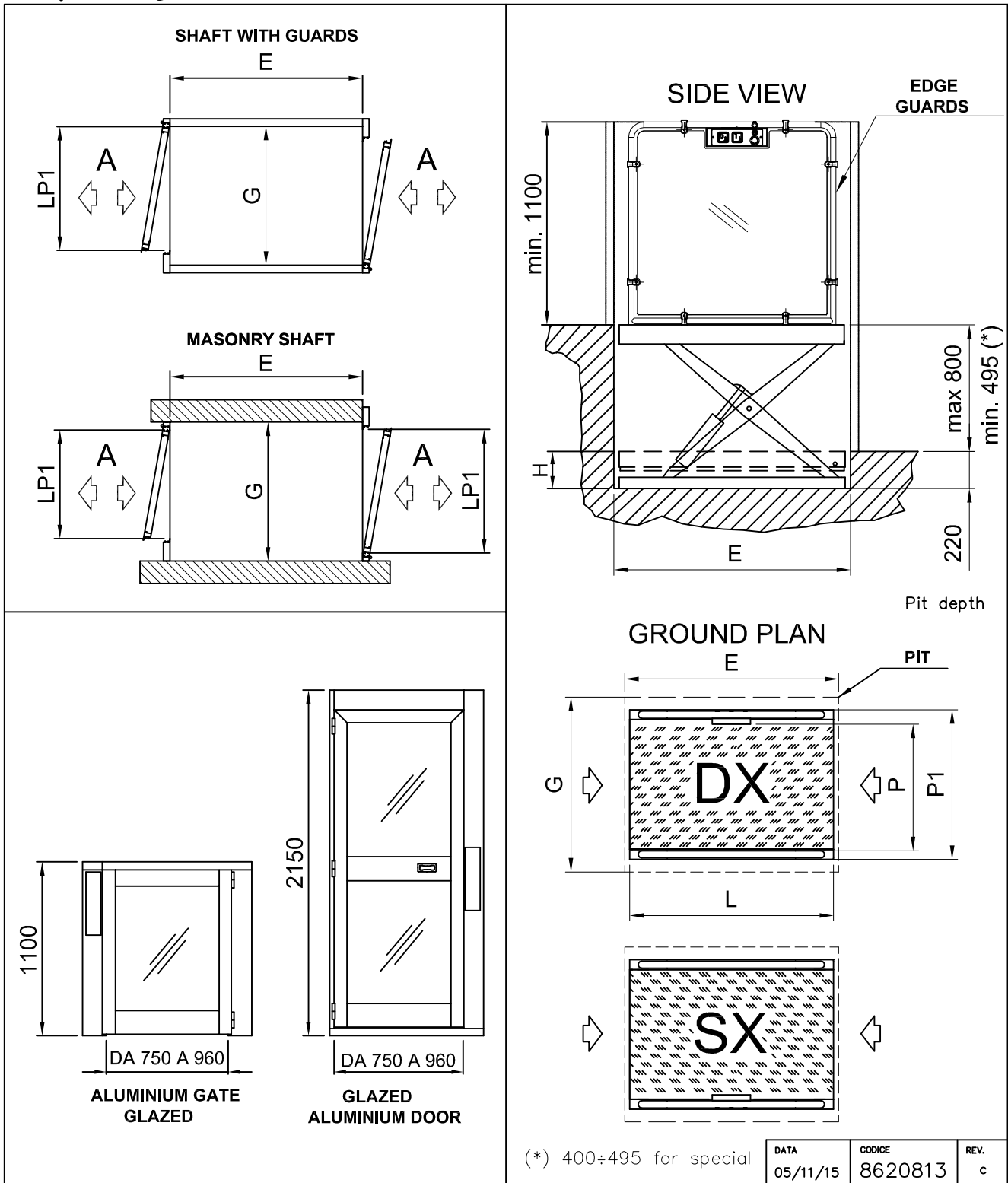


INSTALLATION REQUIREMENTS

A	REQUIRED ACCESS SPACE	1500
OVERALL DIMENSIONS		STANDARD SIZES
E=L+40 (max)	1300-1440	L (length)
G=P1+40 (max)	940-990-1040-1090-1140-1190-1240	P (width)
LP1	The value will be stated on the acceptance form.	P1 (overall width)
LP2		H (dimensions with platform closed)
LP3		220
LP4		

TECHNICAL FEATURES

Rated load	Power	Voltage	Auxiliary voltage	Speed
400 [daN]	0.6 [KW]	[230V/50Hz mon.]	24 [V-DC]	[3m/min.]



(*) 400÷495 for special

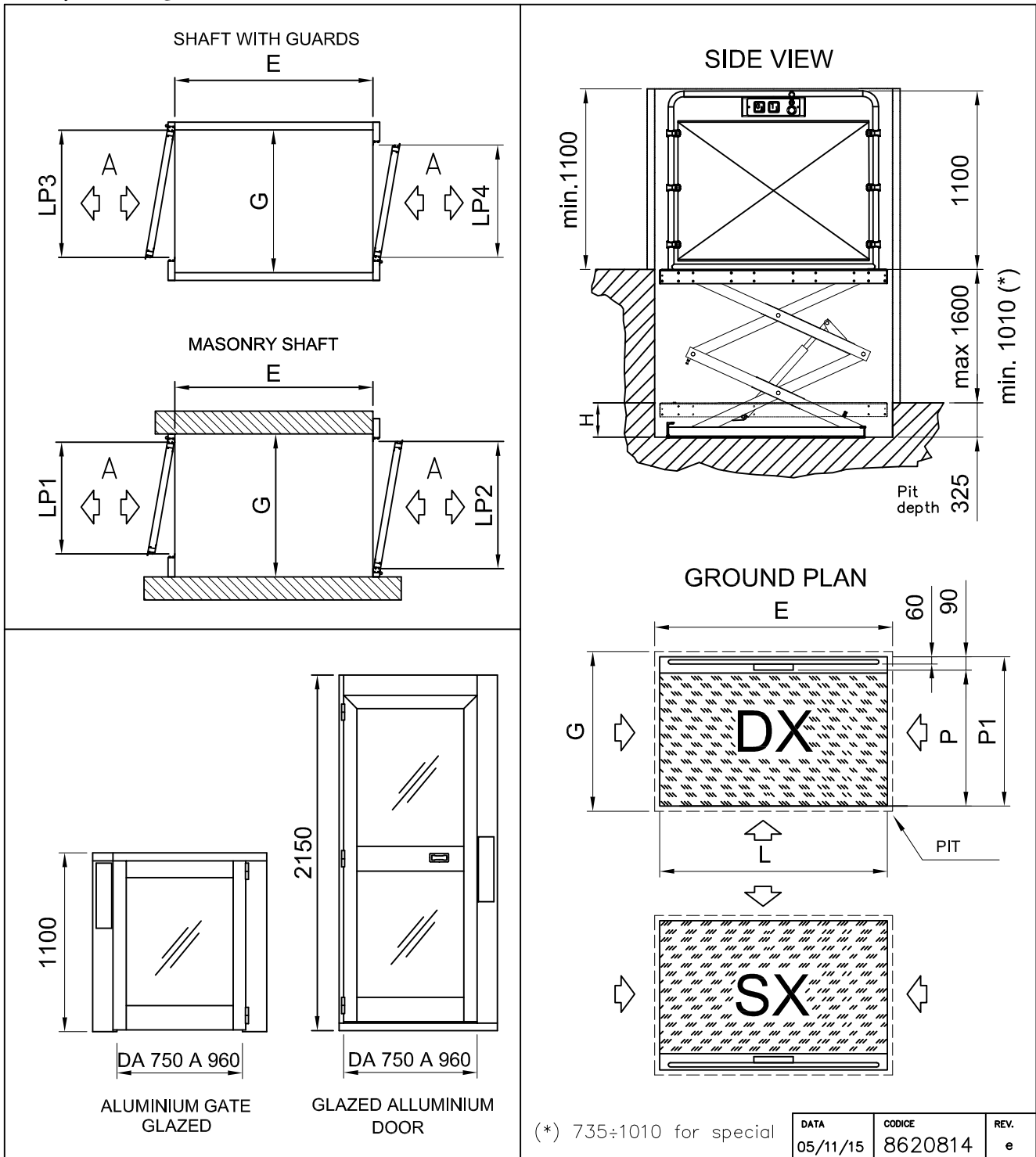
DATA	CODICE	REV.
05/11/15	8620813	c

INSTALLATION REQUIREMENTS

A	REQUIRED ACCESS SPACE	1500
OVERALL DIMENSIONS		STANDARD SIZES
E=L+40 (max)	1440	L (length) 1400
G=P1+100 (max)	1200-1300-1400-1500	P (width) 940-1040-1140-1240
LP1	The value will be stated on the acceptance form.	P1 (overall width) 1100-1200-1300-1400
		H (dimensions with platform closed) 220

TECHNICAL FEATURES

Rated load	Power	Voltage	Auxiliary voltage	Speed
400 [daN]	0.6 [KW]	[230V/50Hz mon.]	24 [V-DC]	[3m/min.]

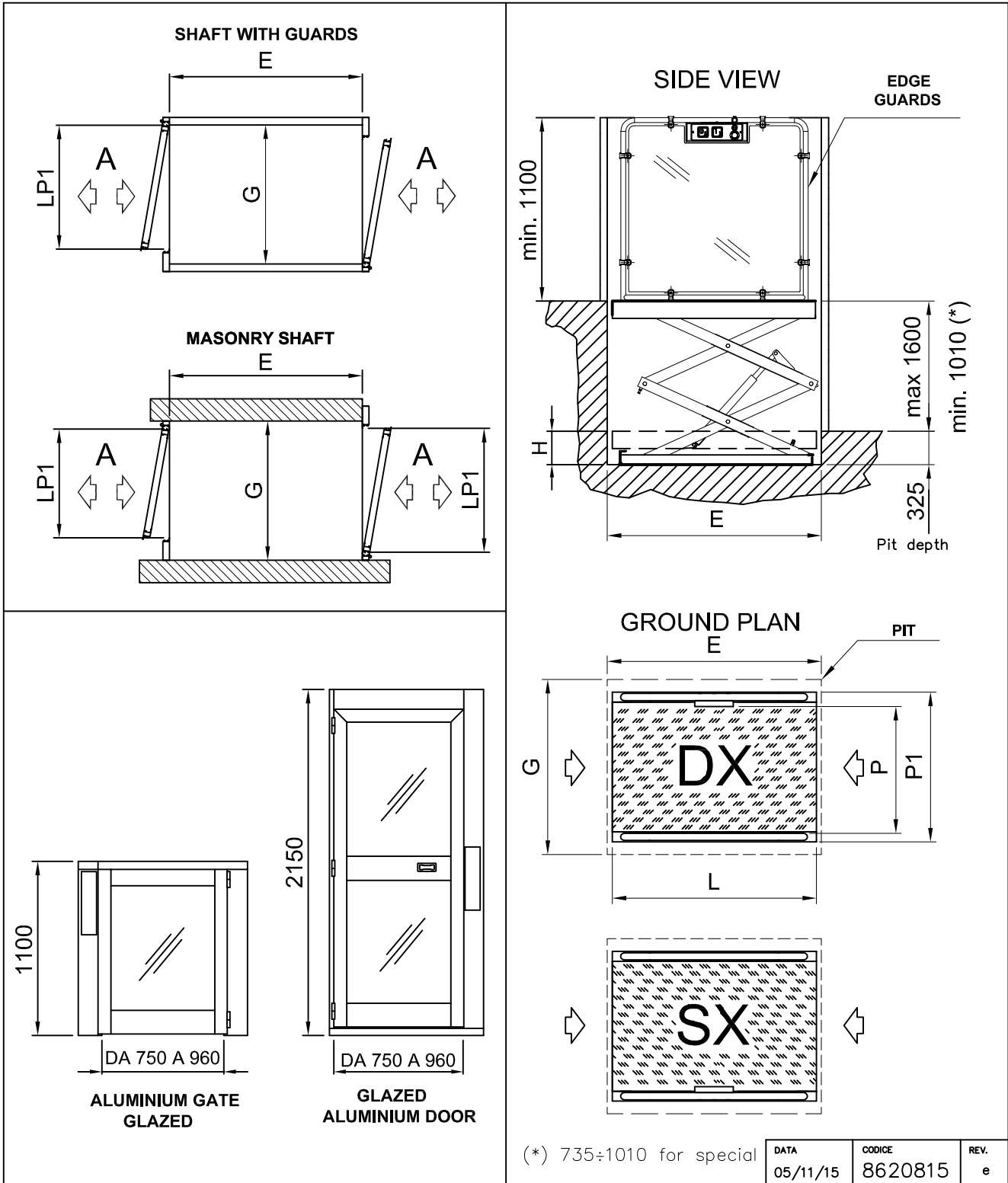


INSTALLATION REQUIREMENTS

A	REQUIRED ACCESS SPACE	1500
OVERALL DIMENSIONS		STANDARD SIZES
E=L+40 (max)	1300-1440	L (length)
G=P1+40 (max)	940-990-1040-1090-1140-1190-1240	P (width)
LP1	The value will be stated on the acceptance form.	P1 (overall width)
LP2		H (dimensions with platform closed)
LP3		
LP4		

TECHNICAL FEATURES

Rated load	Power	Voltage	Auxiliary voltage	Speed
400 [daN]	0.6 [KW]	[230V/50Hz mon.]	24 [V-DC]	[3m/min.]



(*) 735÷1010 for special

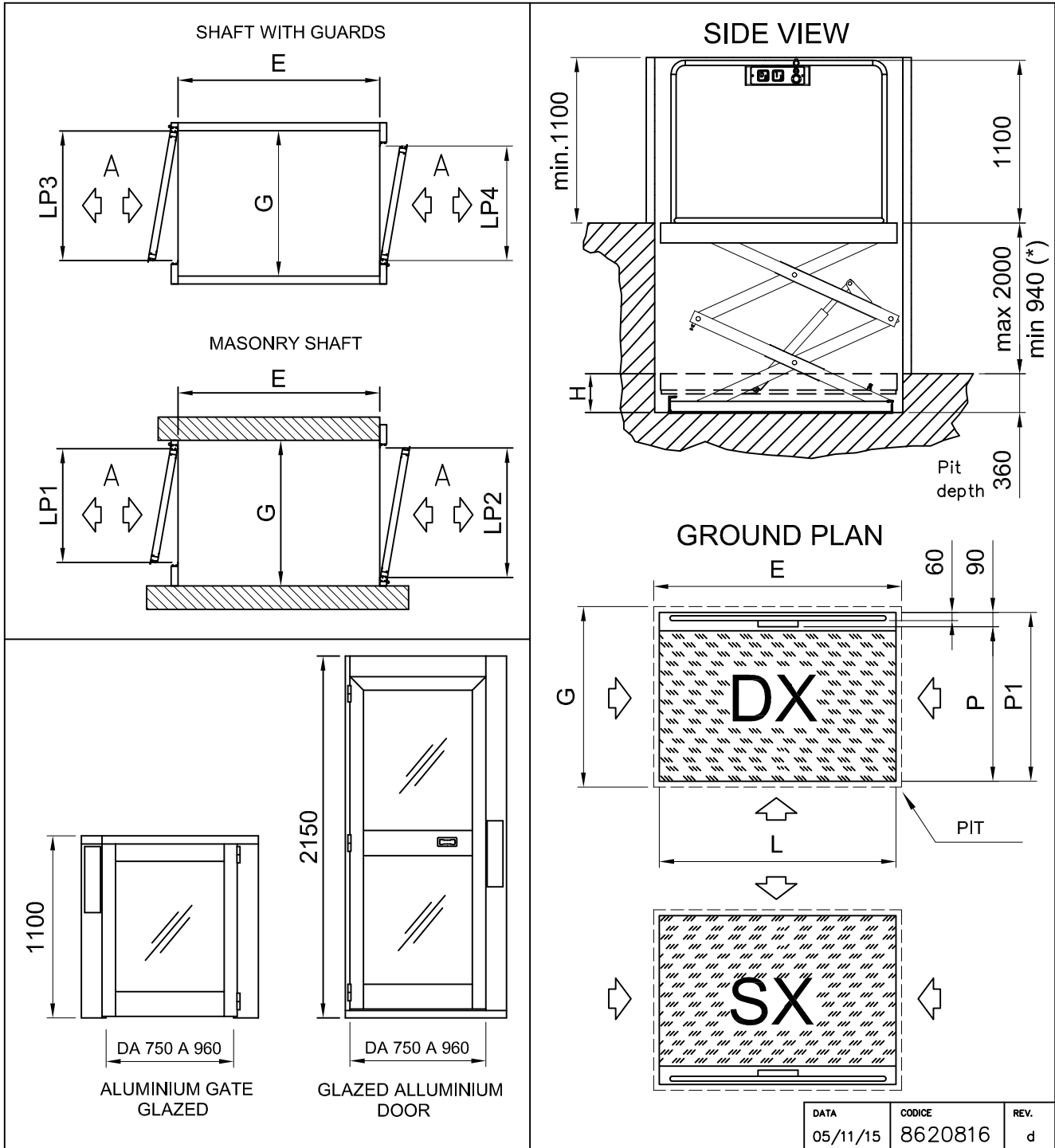
DATA	CODICE	REV.
05/11/15	8620815	e

INSTALLATION REQUIREMENTS

A	REQUIRED ACCESS SPACE	1500
OVERALL DIMENSIONS		STANDARD SIZES
E=L+40 (max)	1440	L (length)
G=P1+100 (max)	1200-1300-1400-1500	P (width)
LP1	The value will be stated on the acceptance form.	P1 (overall width)
		H (dimensions with platform closed)

TECHNICAL FEATURES

Rated load	Power	Voltage	Auxiliary voltage	Speed
400 [daN]	0.6 [KW]	[230V/50Hz mon.]	24 [V-DC]	[3m/min.]

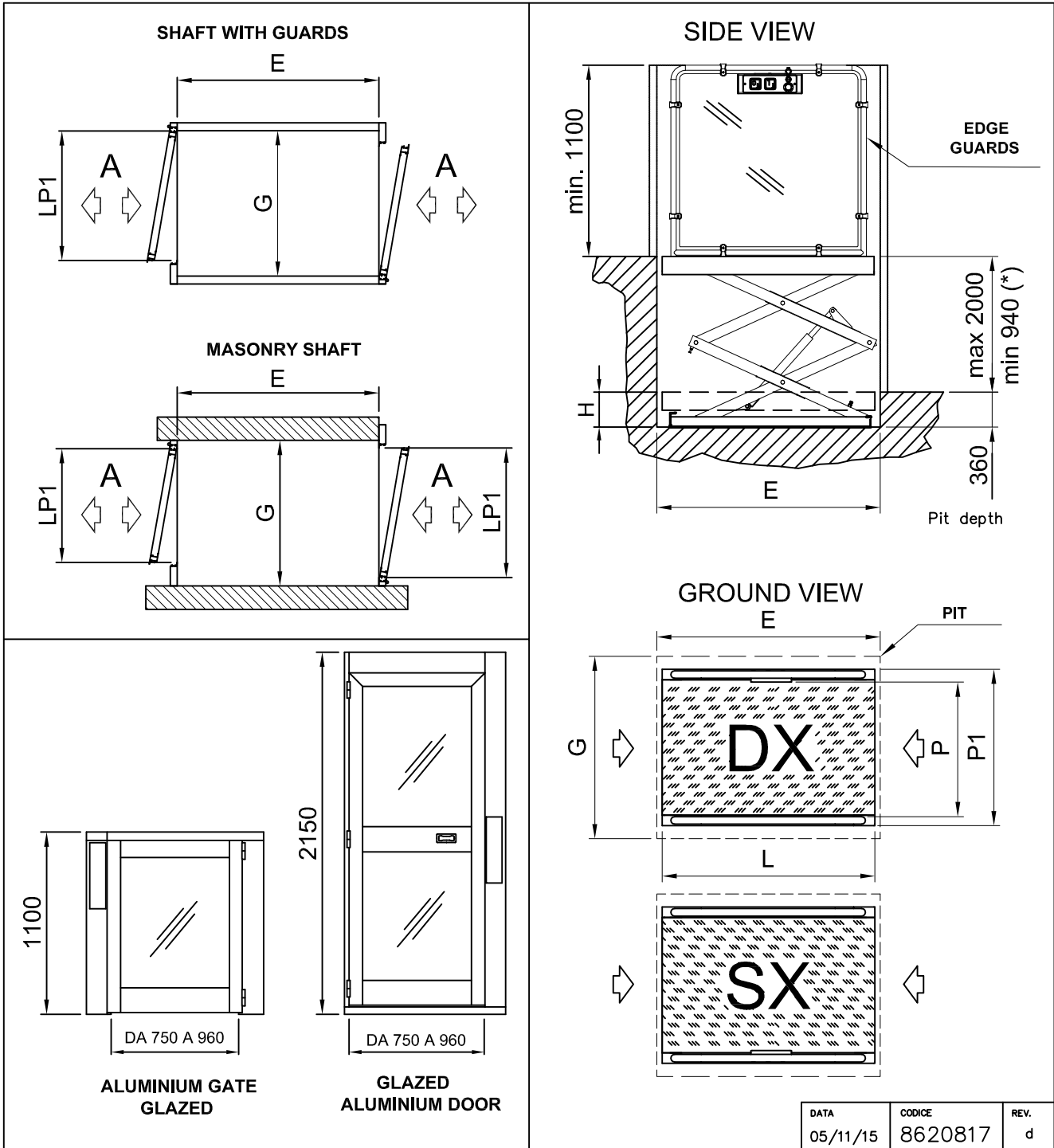


INSTALLATION REQUIREMENTS

A	REQUIRED ACCESS SPACE		1500			
OVERALL DIMENSIONS			STANDARD SIZES			
	A20 200	A20 200 (2200x1000)		A20 200	A20 200 (2200x1000)	
E=L+40 (max)	1740	2240	L (length)	1700	2200	
G=P1+40 (max)	940-1040	1040	P (width)	810-910	910	
LP1	The value will be stated on the acceptance form.		P1 (overall width)	900-1000	1000	
LP2			H (dimensions with platform closed)	360		
LP3			(*) 880±940 special lifting platform			
LP4						

TECHNICAL FEATURES

Rated load	Power	Voltage	Auxiliary voltage	Speed
400 [daN]	0.6 [KW]	[230V/50Hz mon.]	24 [V-DC]	[3m/min.]



DATA	CODICE	REV.
05/11/15	8620817	d

INSTALLATION REQUIREMENTS

A	REQUIRED ACCESS SPACE	1500
OVERALL DIMENSIONS		STANDARD SIZES
	A20 200	A20 200 (2200x1000)
E=L+40 (max)	1740	2240
G=P1+100 (max)	1200-1300	1300
LP1	The value will be stated on the acceptance form.	
	P1 (overall width)	1100-1200 1200
	H (dimensions with platform closed)	360
(*) 880±940 special lifting platform		

TECHNICAL FEATURES

Rated load	Power	Voltage	Auxiliary voltage	Speed
400 [daN]	0.6 [KW]	[230V/50Hz mon.]	24 [V-DC]	[3m/min.]