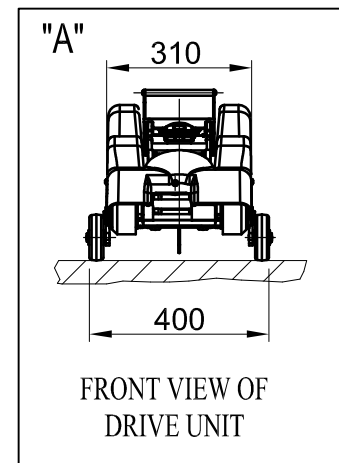
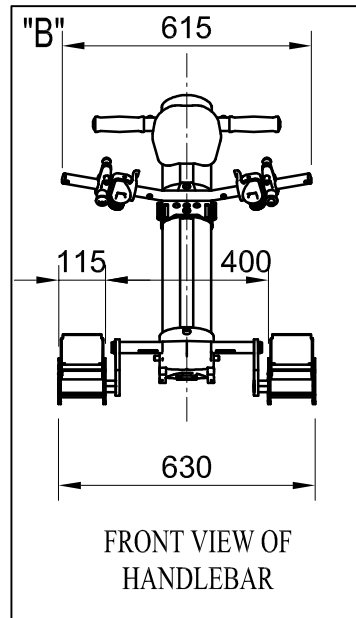
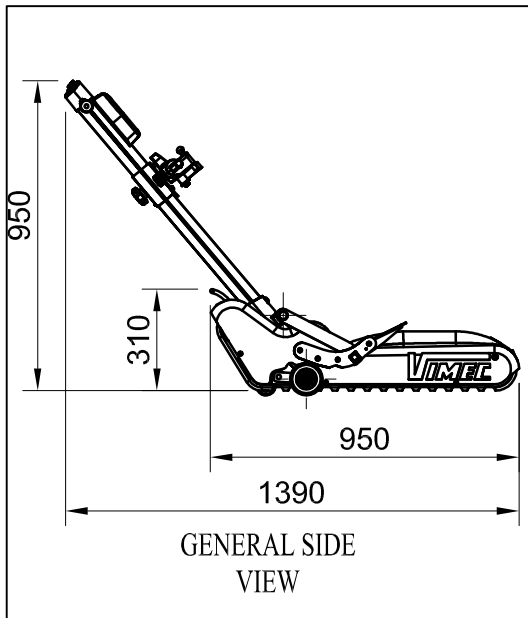
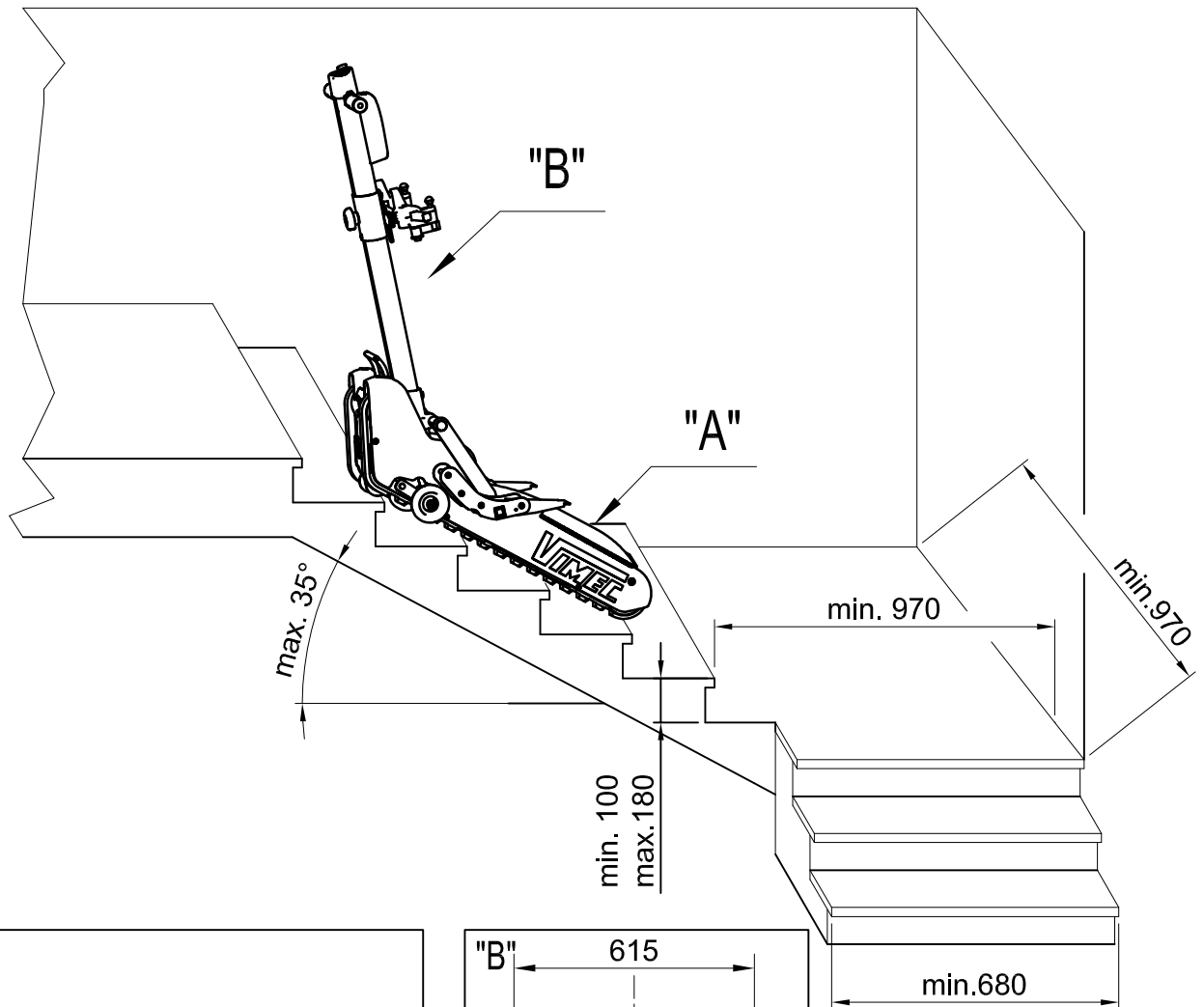


TECHNICAL FEATURES

Rated Load	Power supply voltage	Range	Weight	Speed	Data	Cod.	Rev.
130 [daN]	CC 24 [V]	23 [FLOORS]	47 [daN]	5 [m/min]	24/03/16	8620703	e

We reserve the right to alter the specification without prior notification.

If the measures "min.970–min820–max.35" don't fit the above table, T09 can't be used on stair.

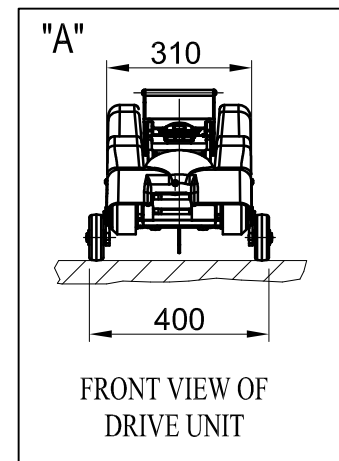
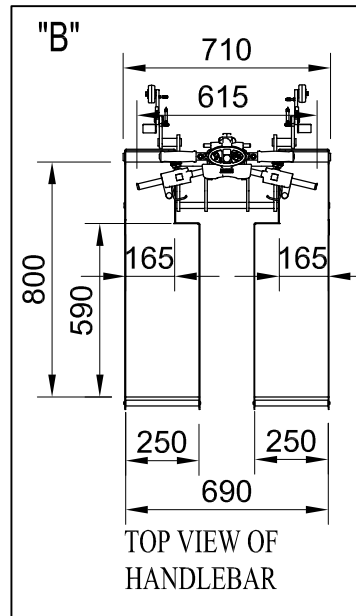
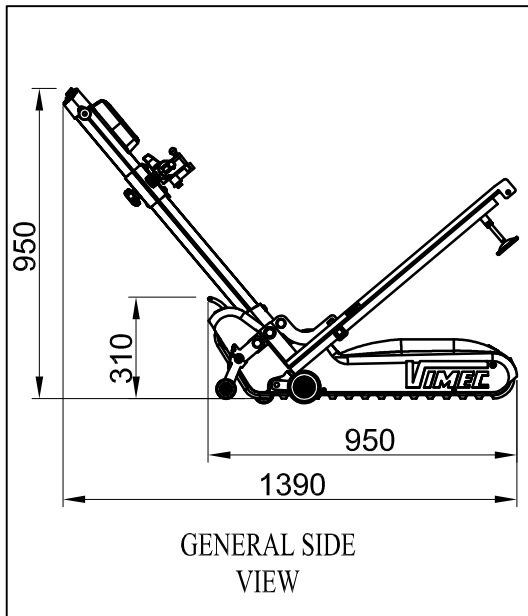
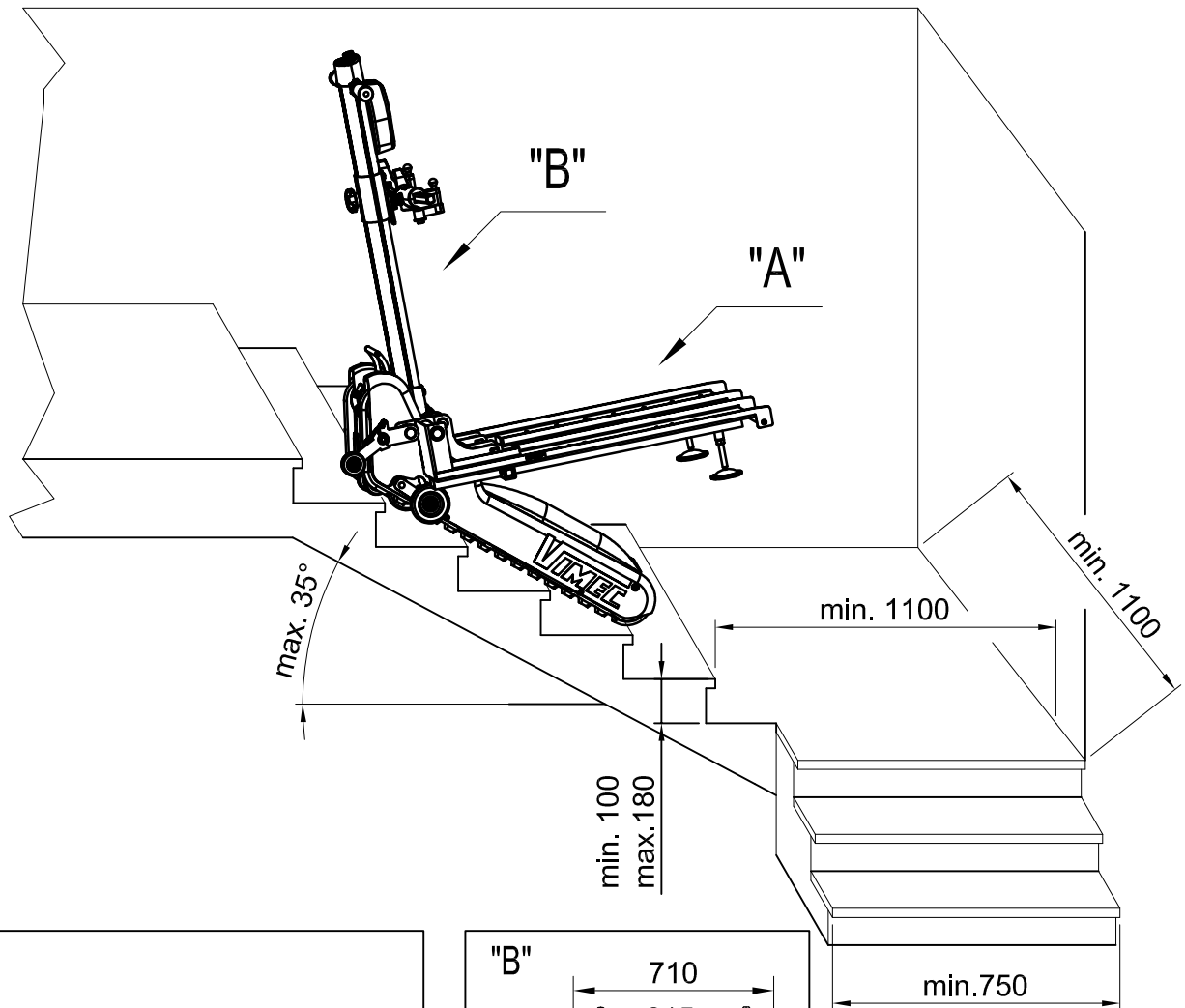


TECHNICAL FEATURES

Rated Load	Power supply voltage	Range	Weight	Speed	Data	Cod.	Rev.
130 [daN]	CC 24 [V]	23 [FLOORS]	47 [daN]	5 [m/min]	24/03/16	8620703	e

We reserve the right to alter the specification without prior notification.

If the measures "min.970–min820–max.35" don't fit the above table, T09 can't be used on stair.



TECHNICAL FEATURES

Rated Load	Power supply voltage	Range	Weight	Speed	Data	Cod.	Rev.
130 [daN]	CC 24 [V]	23 [FLOORS]	47 [daN]	5 [m/min]	24/03/16	8620703	e

We reserve the right to alter the specification without prior notification.

If the measures "min.970–min820–max.35" don't fit the above table, T09 can't be used on stair.