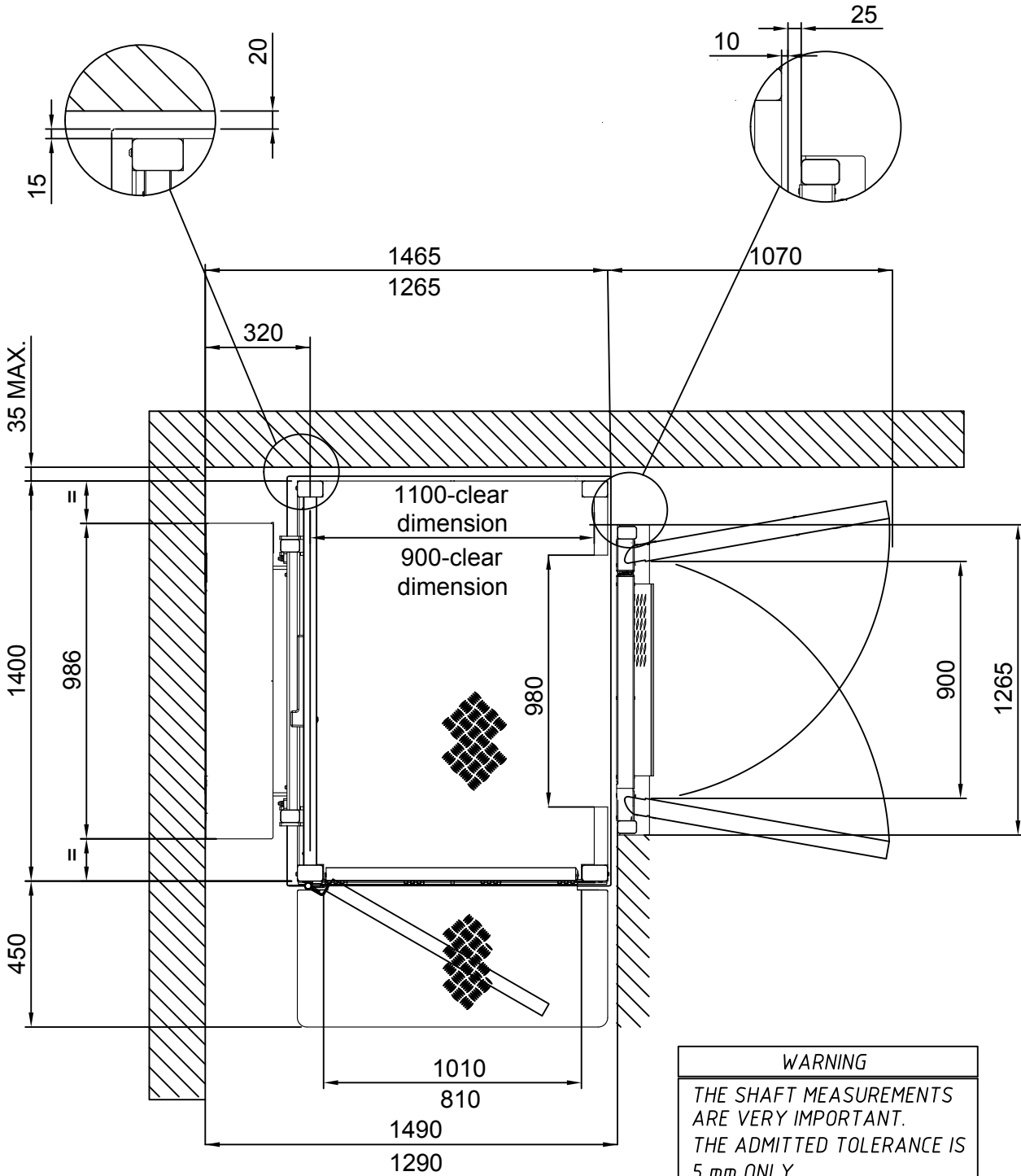


LH - 90° EXIT



WARNING
 THE SHAFT MEASUREMENTS
 ARE VERY IMPORTANT.
 THE ADMITTED TOLERANCE IS
 5 mm ONLY

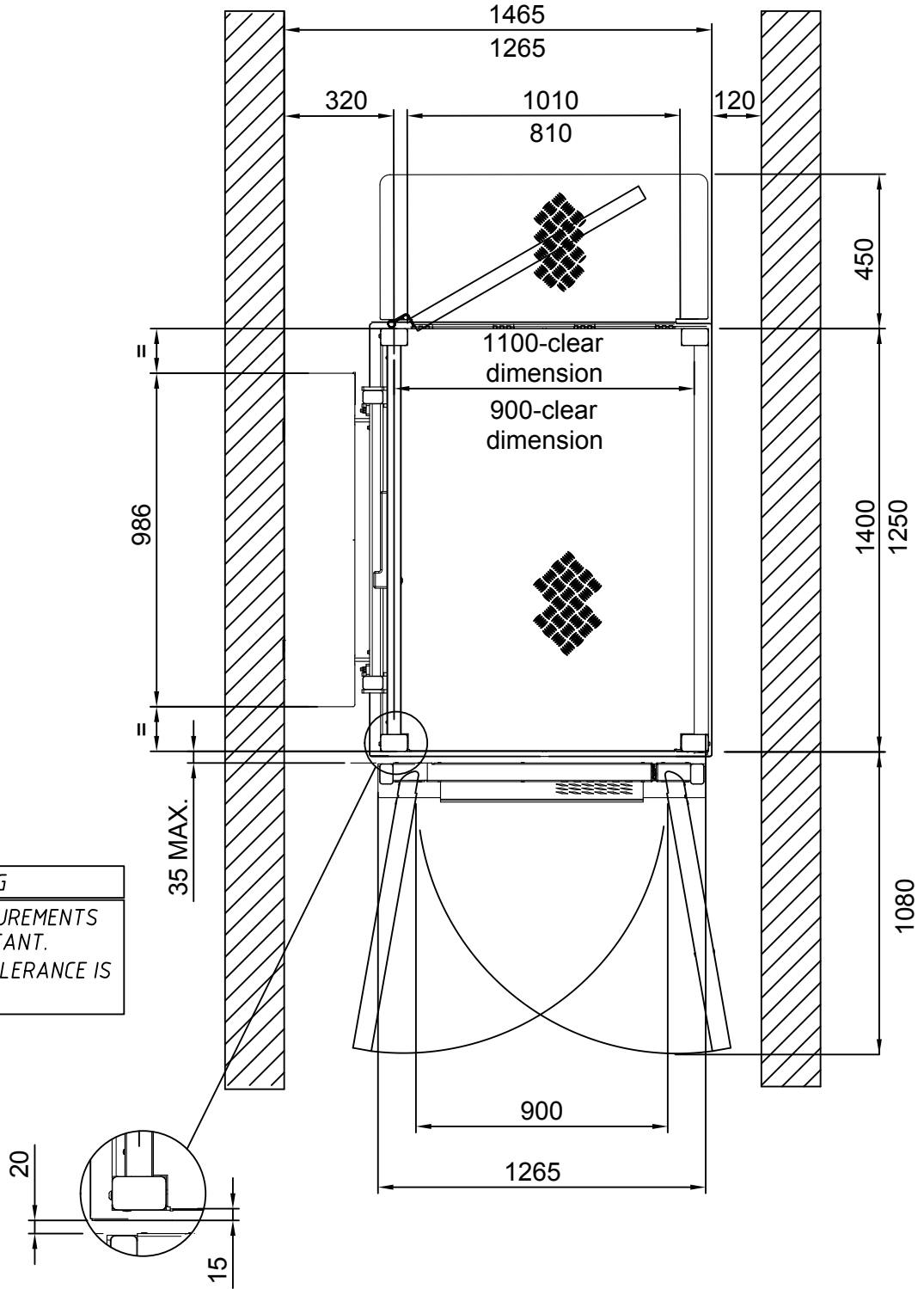
DATA	CODICE	REV.
17/10/19	8623600	G

TECHNICAL FEATURES

Rated Load	Power	Voltage	Auxiliary voltage	Speed
400 [daN]	2,2 [kW]	230 AC [V-mon.]	24 [V-DC]	Travel<2,1m=0,05[m/sec.] Travel>2,1m=0,1[m/sec.]

We reserve the right to alter the specification without prior notification.

RH VERSION



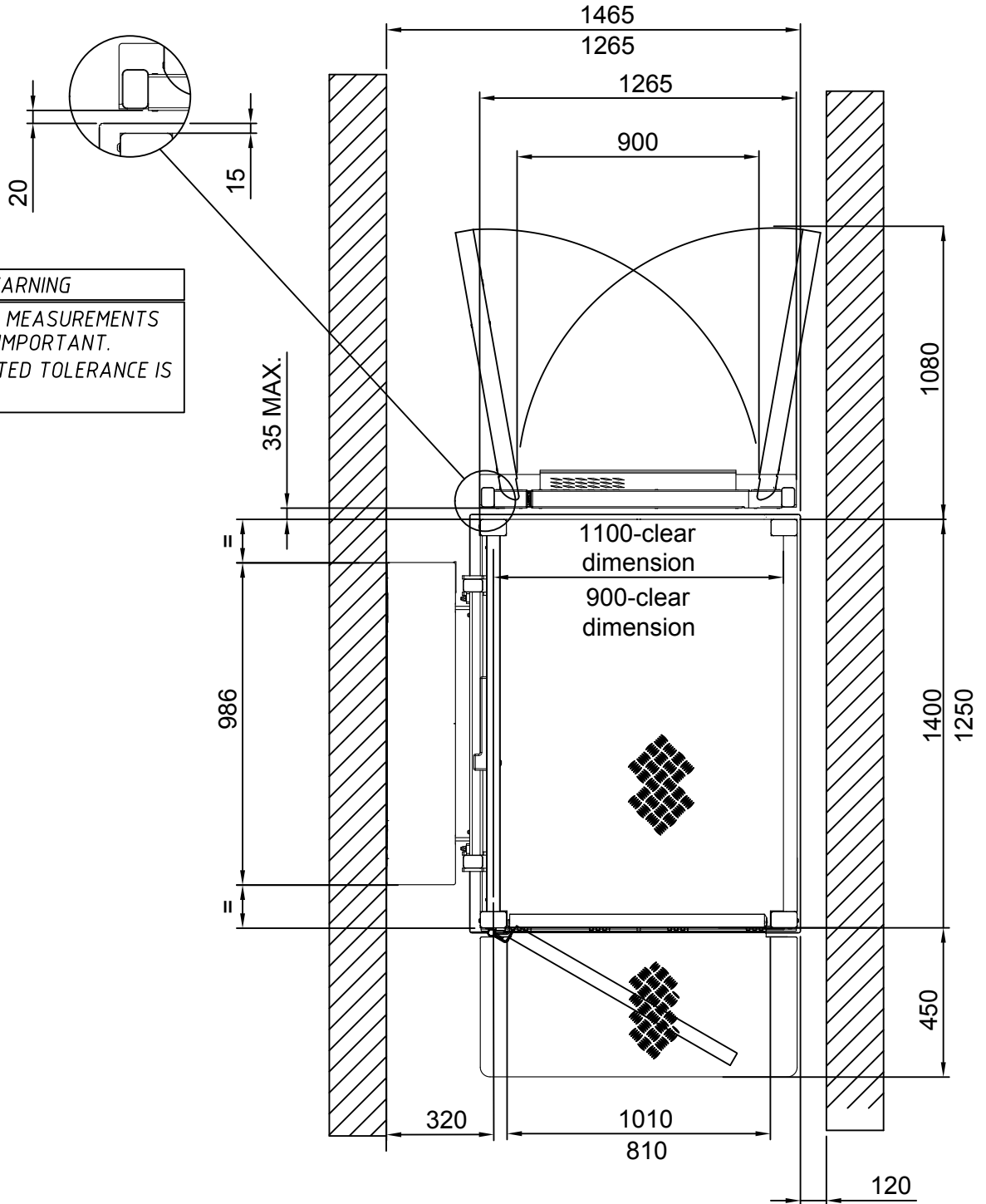
WARNING
THE SHAFT MEASUREMENTS
ARE VERY IMPORTANT.
THE ADMITTED TOLERANCE IS
5 mm ONLY

DATA	CODICE	REV.
17/10/19	8623600	G

TECHNICAL FEATURES

Rated Load	Power	Voltage	Auxiliary voltage	Speed
400 [daN]	2,2 [kW]	230 AC [V-mon.]	24 [V-DC]	Travel < 2,1m = 0,05 [m/sec.] Travel > 2,1m = 0,1 [m/sec.]

LH VERSION



WARNING
 THE SHAFT MEASUREMENTS
 ARE VERY IMPORTANT.
 THE ADMITTED TOLERANCE IS
 5 mm ONLY

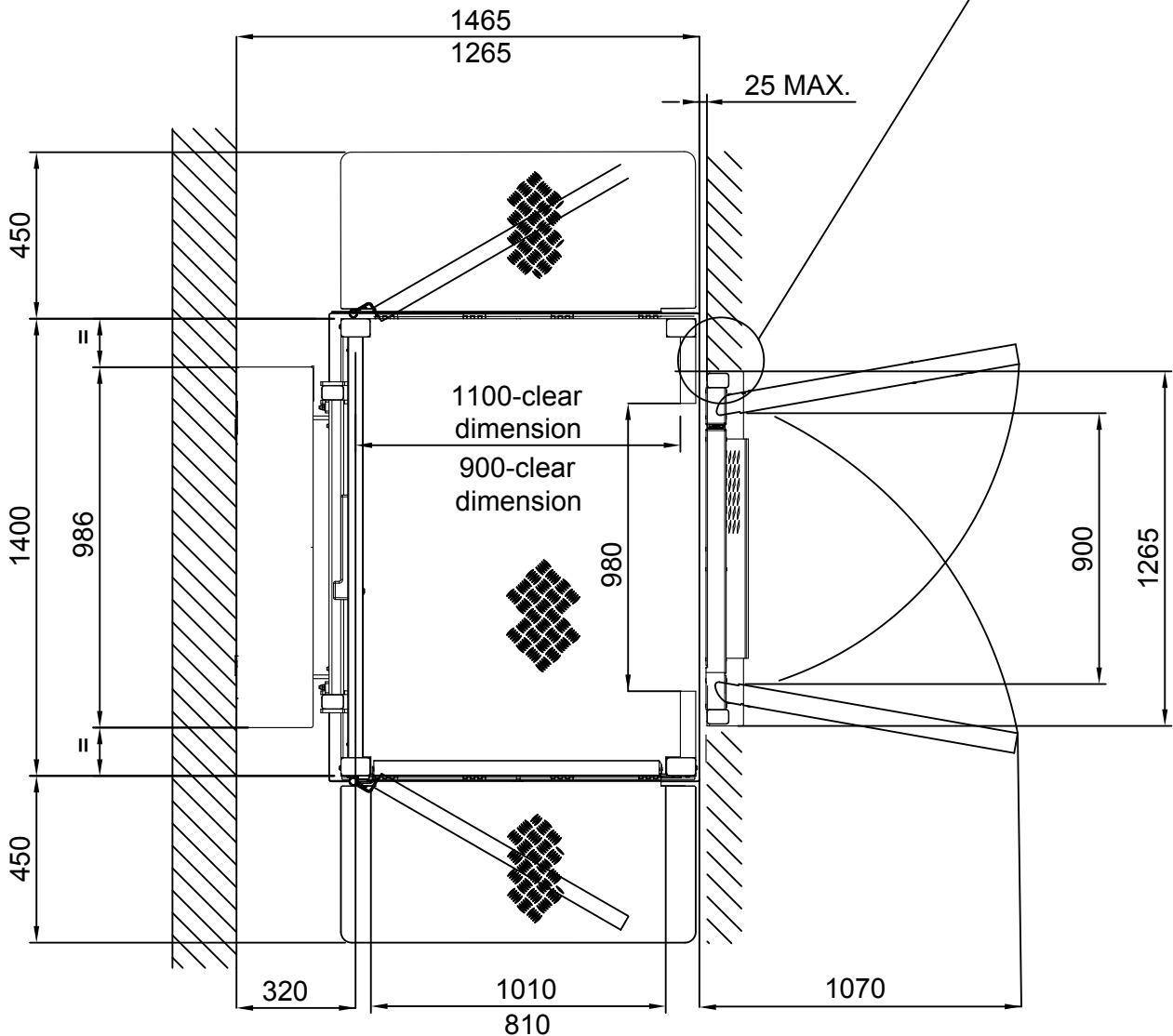
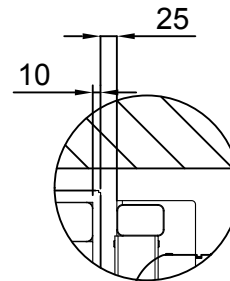
DATA	CODICE	REV.
17/10/19	8623600	G

TECHNICAL FEATURES

Rated Load	Power	Voltage	Auxiliary voltage	Speed
400 [daN]	2,2 [kW]	230 AC [V-mon.]	24 [V-DC]	Travel < 2,1m = 0,05 [m/sec.] Travel > 2,1m = 0,1 [m/sec.]

RH - LH 90° EXIT

WARNING
 THE SHAFT MEASUREMENTS
 ARE VERY IMPORTANT.
 THE ADMITTED TOLERANCE IS
 5 mm ONLY



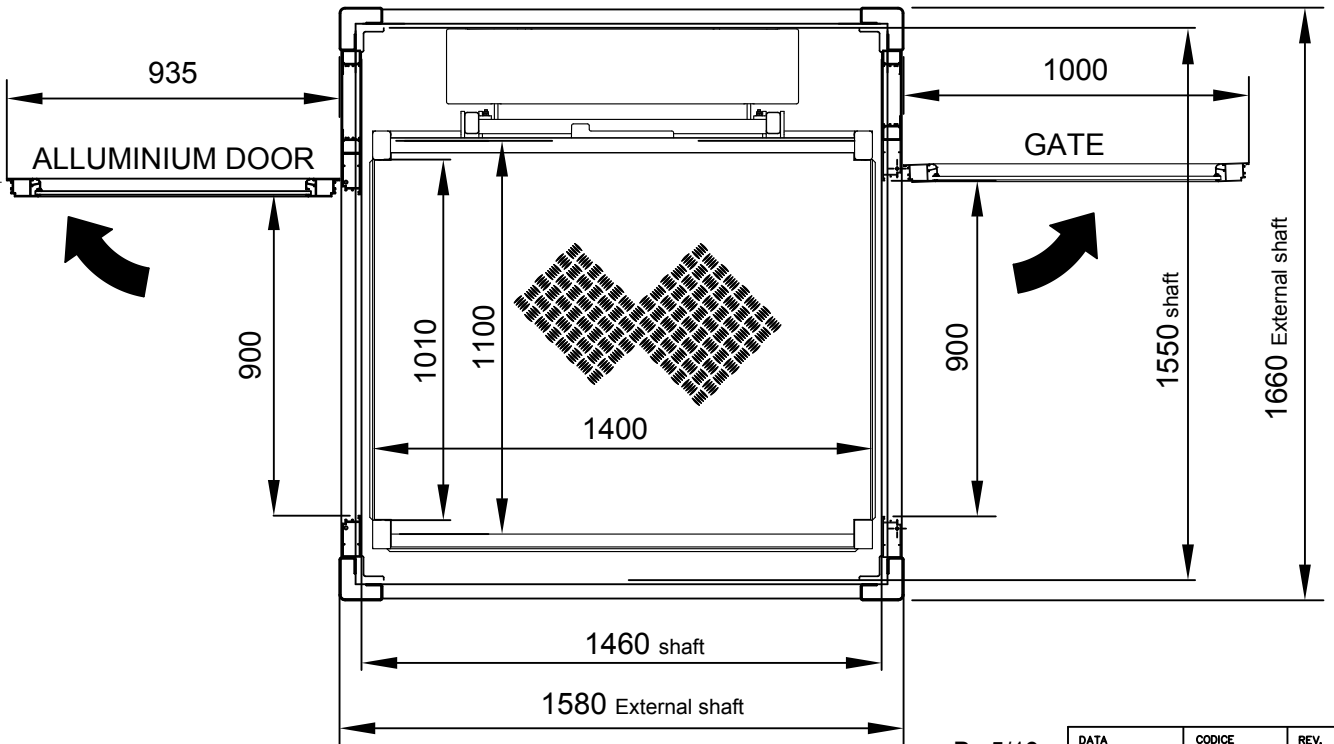
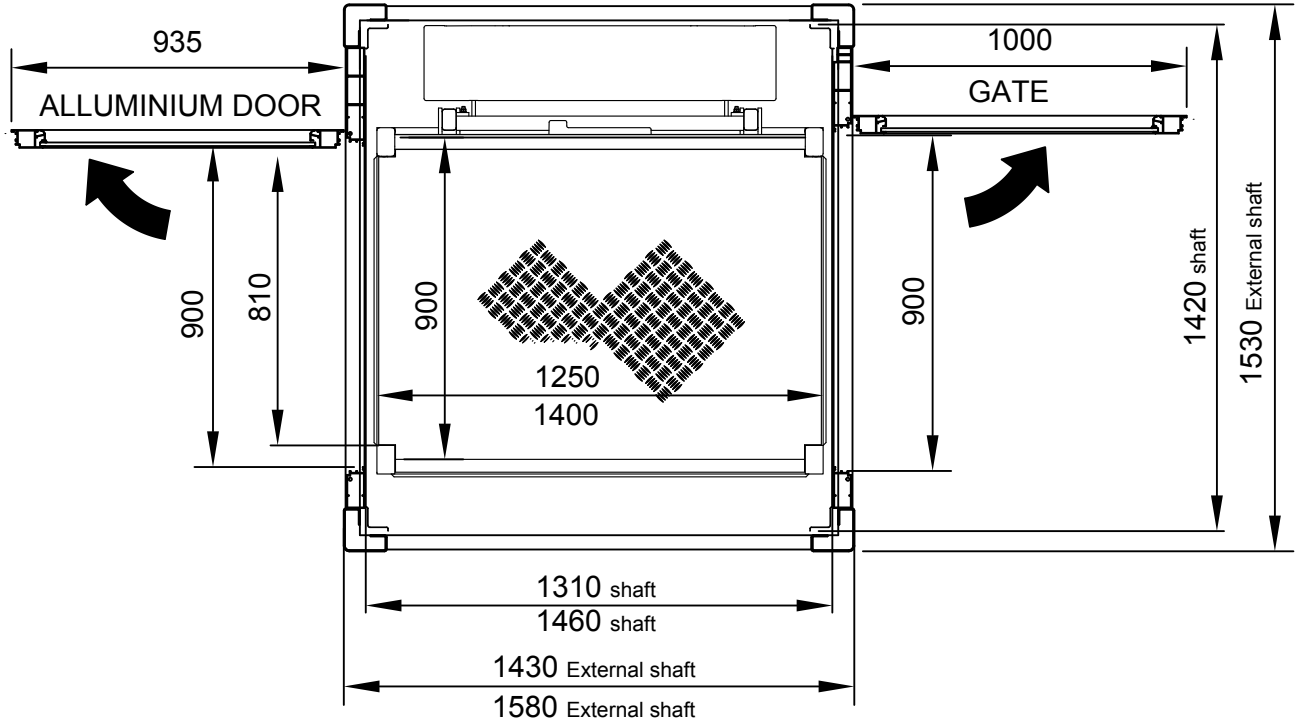
Pg 4/12

DATA	CODICE	REV.
17/10/19	8623600	G

TECHNICAL FEATURES

Rated Load	Power	Voltage	Auxiliary voltage	Speed
400 [daN]	2,2 [kW]	230 AC [V-mon.]	24 [V-DC]	Travel < 2,1m = 0,05 [m/sec.] Travel > 2,1m = 0,1 [m/sec.]

SHAFT
DX - SX

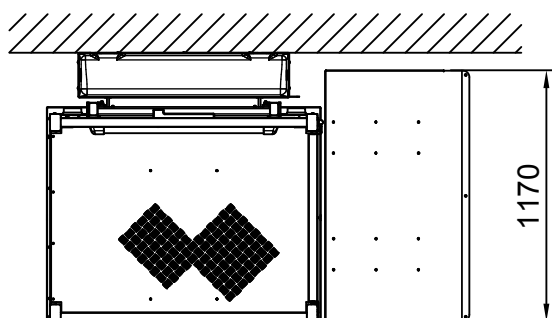
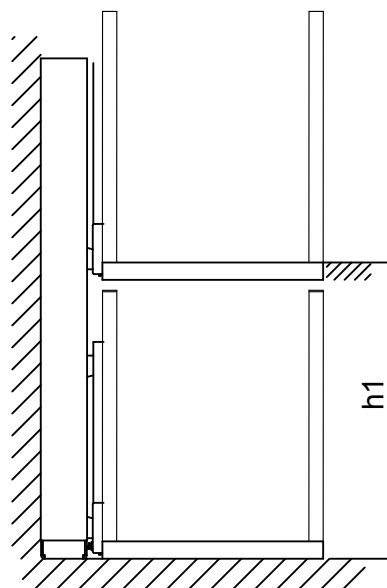
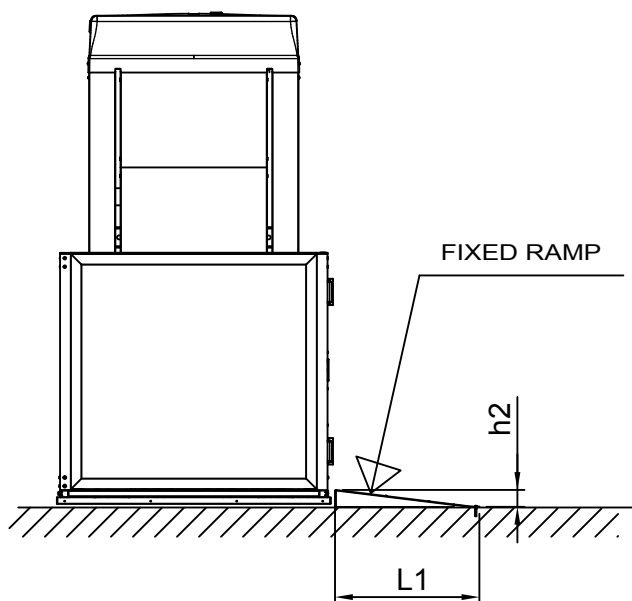


Pg 5/12

DATA	CODICE	REV.
17/10/19	8623600	G

TECHNICAL FEATURES

Rated Load	Power	Voltage	Auxiliary voltage	Speed
400 [daN]	2,2 [kW]	230 AC [V-mon.]	24 [V-DC]	Travel<2,1m=0,05[m/sec.] Travel>2,1m=0,1[m/sec.]



RAMP FOR PLATFORM WITH SAFETY EDGES

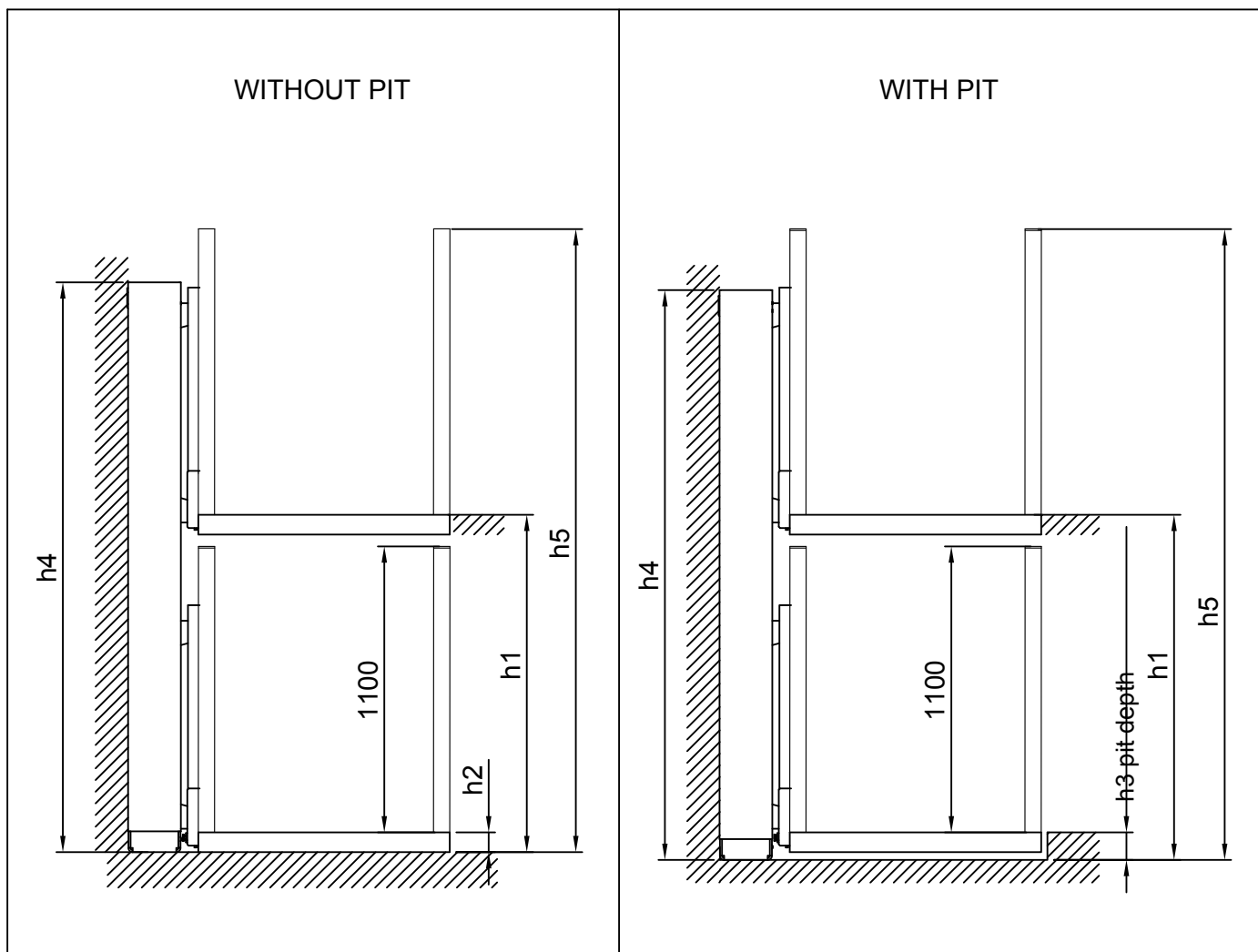
h2	80
L1	680

RAMP FOR PLATFORM WITH SAFETY EDGES + BELLOW

h1	1100	1600	2100
h2	125	165	165
L1	1040	1370	1370

TECHNICAL FEATURES

Rated Load	Power	Voltage	Auxiliary voltage	Speed
400 [daN]	2,2 [kW]	230 AC [V-mon.]	24 [V-DC]	Travel < 2,1m = 0,05 [m/sec.] Travel > 2,1m = 0,1 [m/sec.]



h1	1100	1600	2100	2600	2990
h2 *	80	80	80	80	80
h2 **	125	145	165	/	/
h3 *	80	80	80	80	80
h3 **	140	160	180	/	/
h4	2320	2820	3320	3820	4320
h5	2260	2760	3260	3760	4260

* WITH ANTI-SQUASH SYSTEM

**WITH ANTI-SQUASH SYSTEM AND LOWER CURTAIN

Pg 7/12

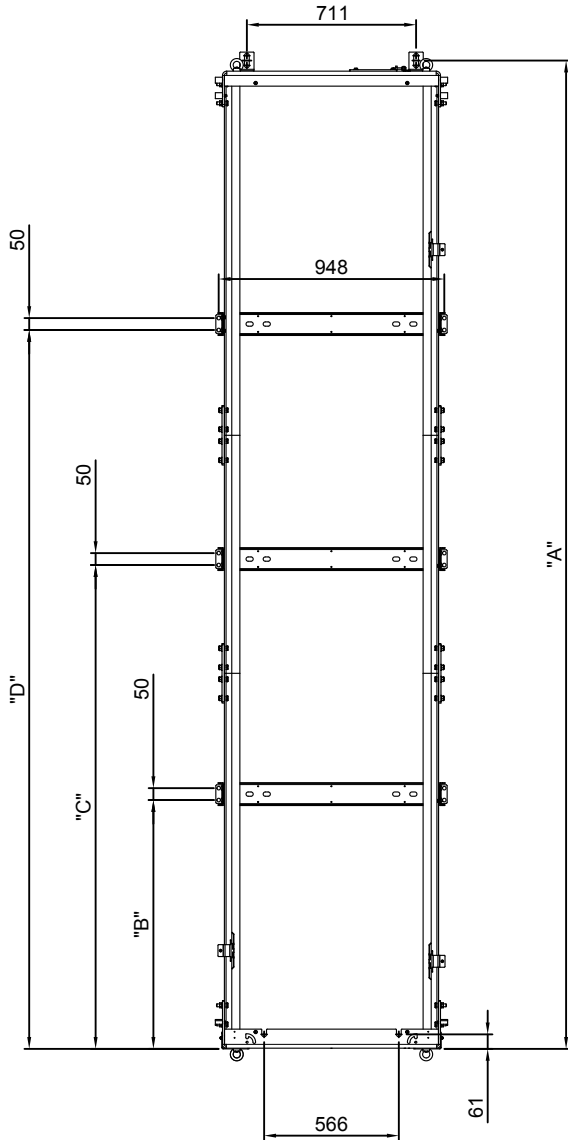
DATA	CODICE	REV.
17/10/19	8623600	G

TECHNICAL FEATURES

Rated Load	Power	Voltage	Auxiliary voltage	Speed
400 [daN]	2,2 [kW]	230 AC [V-mon.]	24 [V-DC]	Travel<2,1m=0,05[m/sec.] Travel>2,1m=0,1[m/sec.]

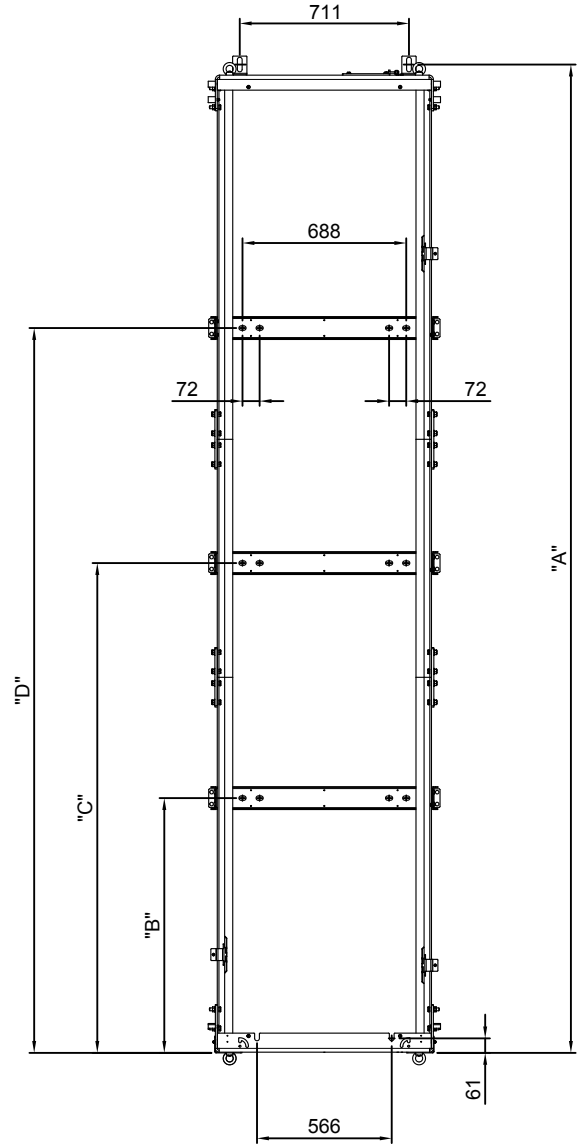
+ DISTANCE BETWEEN CONNECTION

MASONRY SHAFT



H	"A"	"B"	"C"	"D"
1100	2155	865	1235	/
1600	2655	865	1705	/
2100	3155	1035	2010	/
2600	3655	865	1705	2510
2990	4155	1045	2035	3020

SHAFT



H	"A"	"B"	"C"	"D"
1100	2165	900	1270	/
1600	2665	900	1740	/
2100	3165	1070	2045	/
2600	3665	900	1740	2545
2990	4165	1080	2070	3055

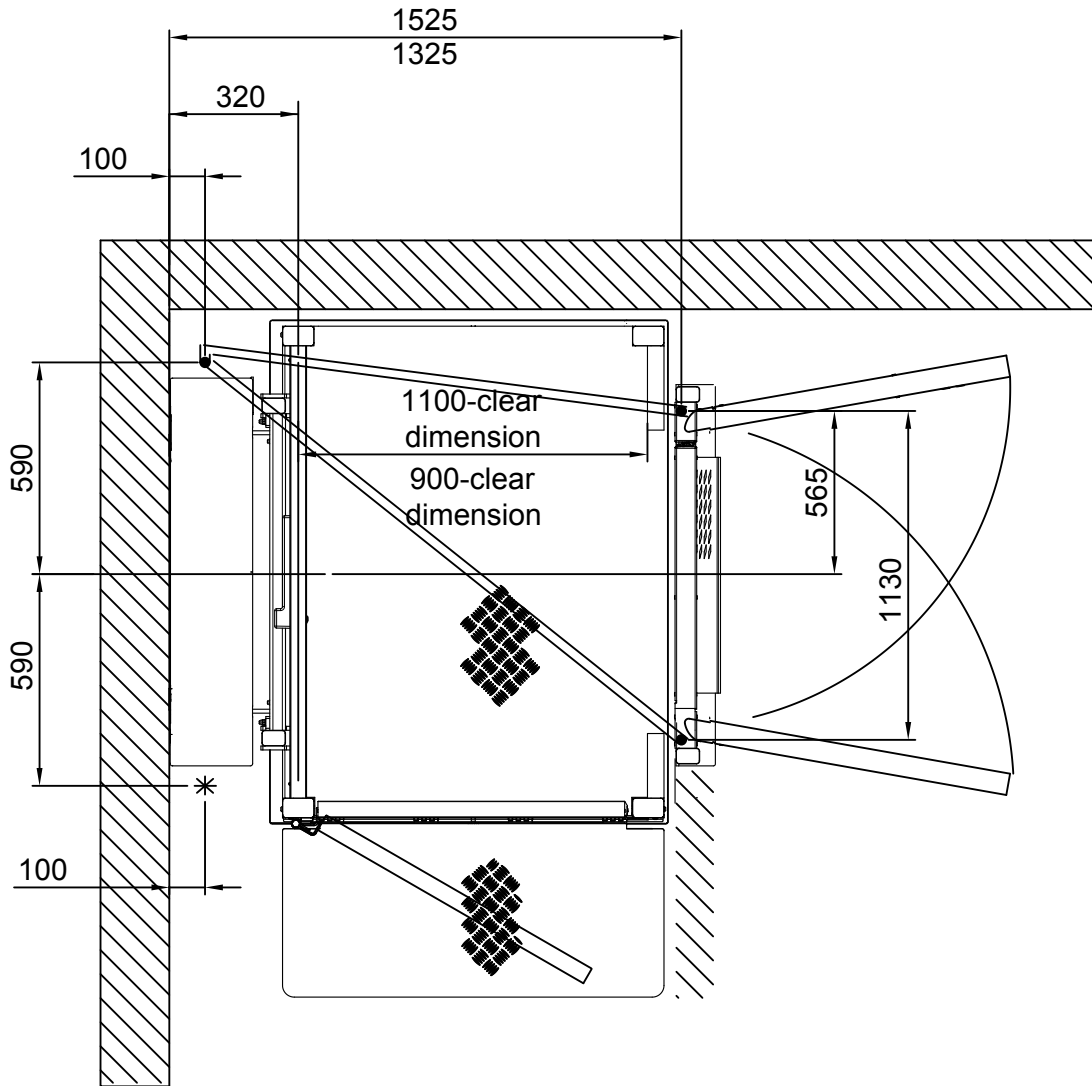
Pg 8/12

DATA	CODICE	REV.
17/10/19	8623600	G

TECHNICAL FEATURES

Rated Load	Power	Voltage	Auxiliary voltage	Speed
400 [daN]	2,2 [kW]	230 AC [V-mon.]	24 [V-DC]	Travel $\leq 2,1\text{m}$=0,05[m/sec.] Travel >math>2,1\text{m}</math>=0,1[m/sec.]

DIAGRAM FOR DRILLING HOLES FOR
CORRUGATED CABLE HOSES
LH - 90° EXIT



* power cable

● drilling holes for corrugated cable hoses Ø40

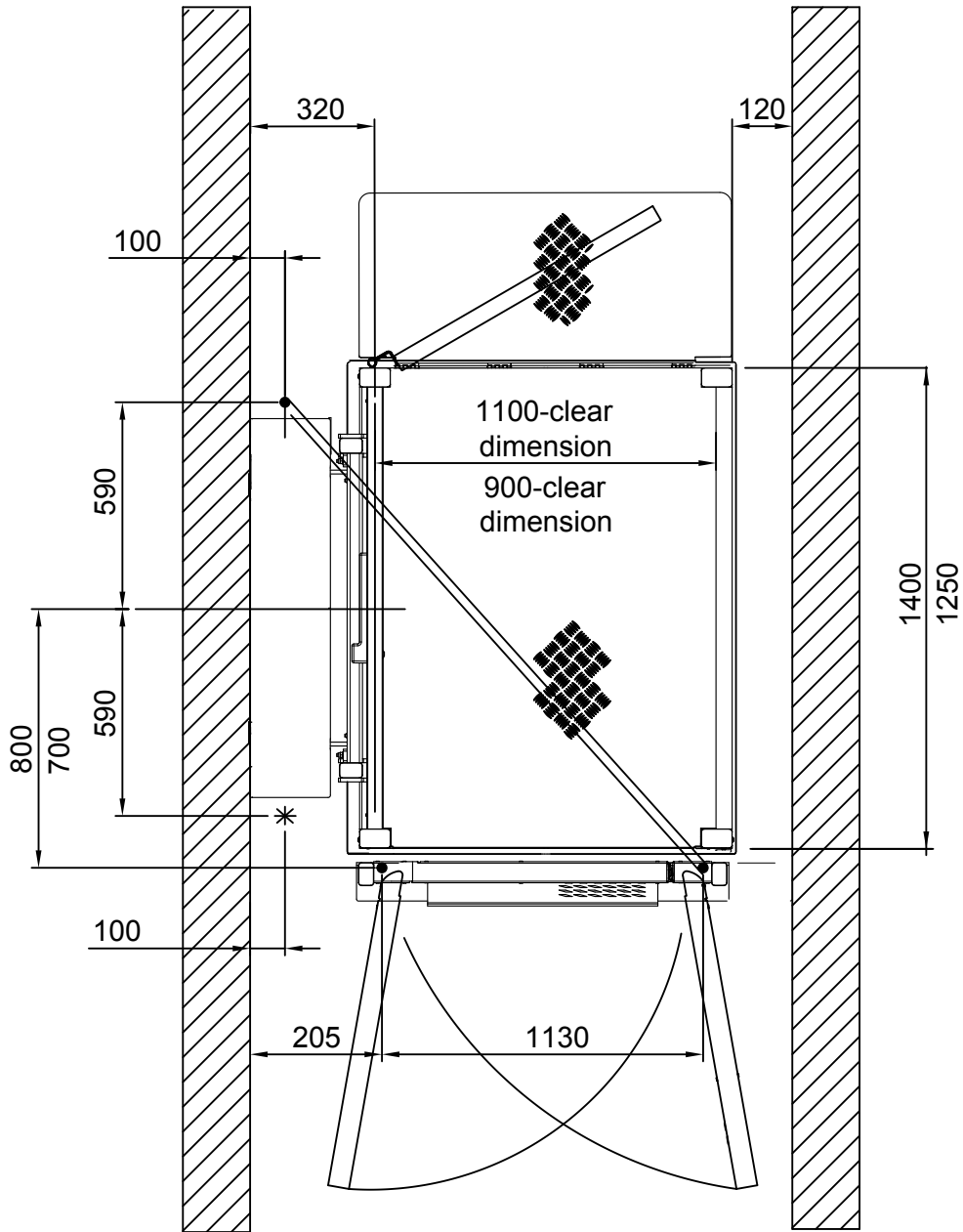
Pg 9/12

DATA	CODICE	REV.
17/10/19	8623600	G

TECHNICAL FEATURES

Rated Load	Power	Voltage	Auxiliary voltage	Speed
400 [daN]	2,2 [kW]	230 AC [V-mon.]	24 [V-DC]	Travel ≤ 2,1m = 0,05 [m/sec.] Travel > 2,1m = 0,1 [m/sec.]

DIAGRAM FOR DRILLING HOLES FOR
CORRUGATED CABLE HOSES
RH VERSION



* power cable

● drilling holes for corrugated cable hoses $\varnothing 40$

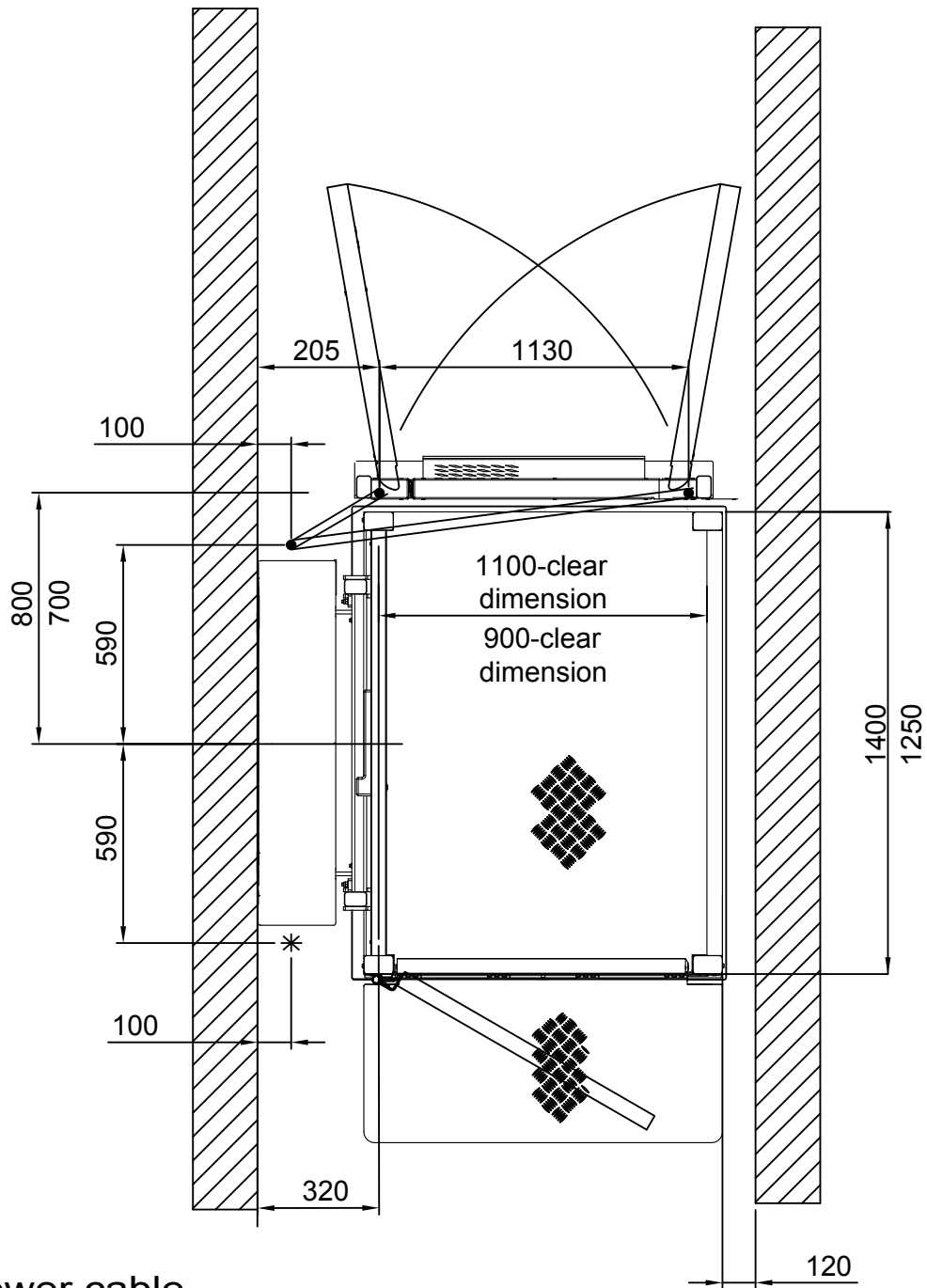
Pg 10/12

DATA	CODICE	REV.
17/10/19	8623600	G

TECHNICAL FEATURES

Rated Load	Power	Voltage	Auxiliary voltage	Speed
400 [daN]	2,2 [kW]	230 AC [V-mon.]	24 [V-DC]	Travel $\leq 2,1m = 0,05 [m/sec.]$ Travel $> 2,1m = 0,1 [m/sec.]$

DIAGRAM FOR DRILLING HOLES FOR
CORRUGATED CABLE HOSES
LH VERSION



* power cable

● drilling holes for corrugated cable hoses $\varnothing 40$

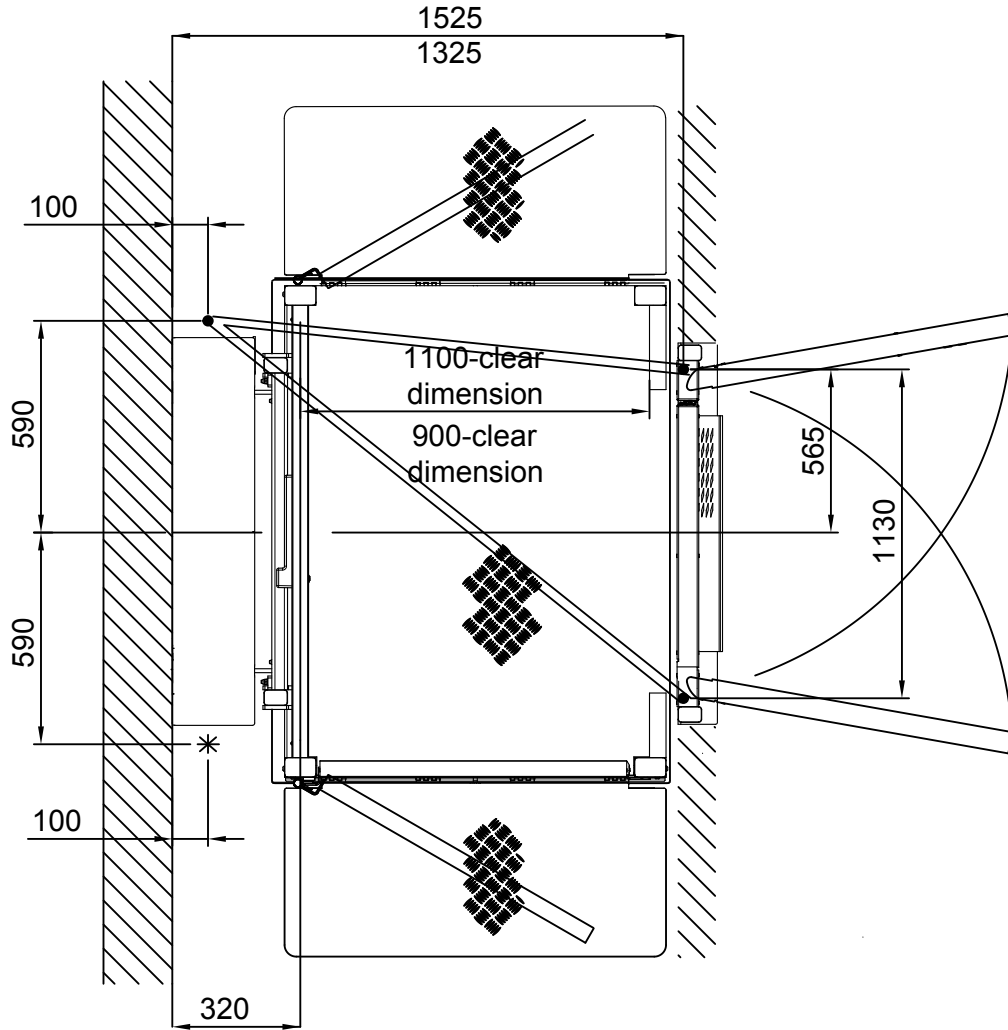
Pg 11/12

DATA	CODICE	REV.
17/10/19	8623600	G

TECHNICAL FEATURES

Rated Load	Power	Voltage	Auxiliary voltage	Speed
400 [daN]	2,2 [kW]	230 AC [V-mon.]	24 [V-DC]	Travel $\leq 2,1m = 0,05 [m/sec.]$ Travel $> 2,1m = 0,1 [m/sec.]$

DIAGRAM FOR DRILLING HOLES FOR
CORRUGATED CABLE HOSES
RH - LH 90° EXIT



* power cable

● drilling holes for corrugated cable hoses $\varnothing 40$

Pg 12/12

DATA	CODICE	REV.
17/10/19	8623600	G

TECHNICAL FEATURES

Rated Load	Power	Voltage	Auxiliary voltage	Speed
400 [daN]	2,2 [kW]	230 AC [V-mon.]	24 [V-DC]	Travel $\leq 2,1m = 0,05 [m/sec.]$ Travel $> 2,1m = 0,1 [m/sec.]$