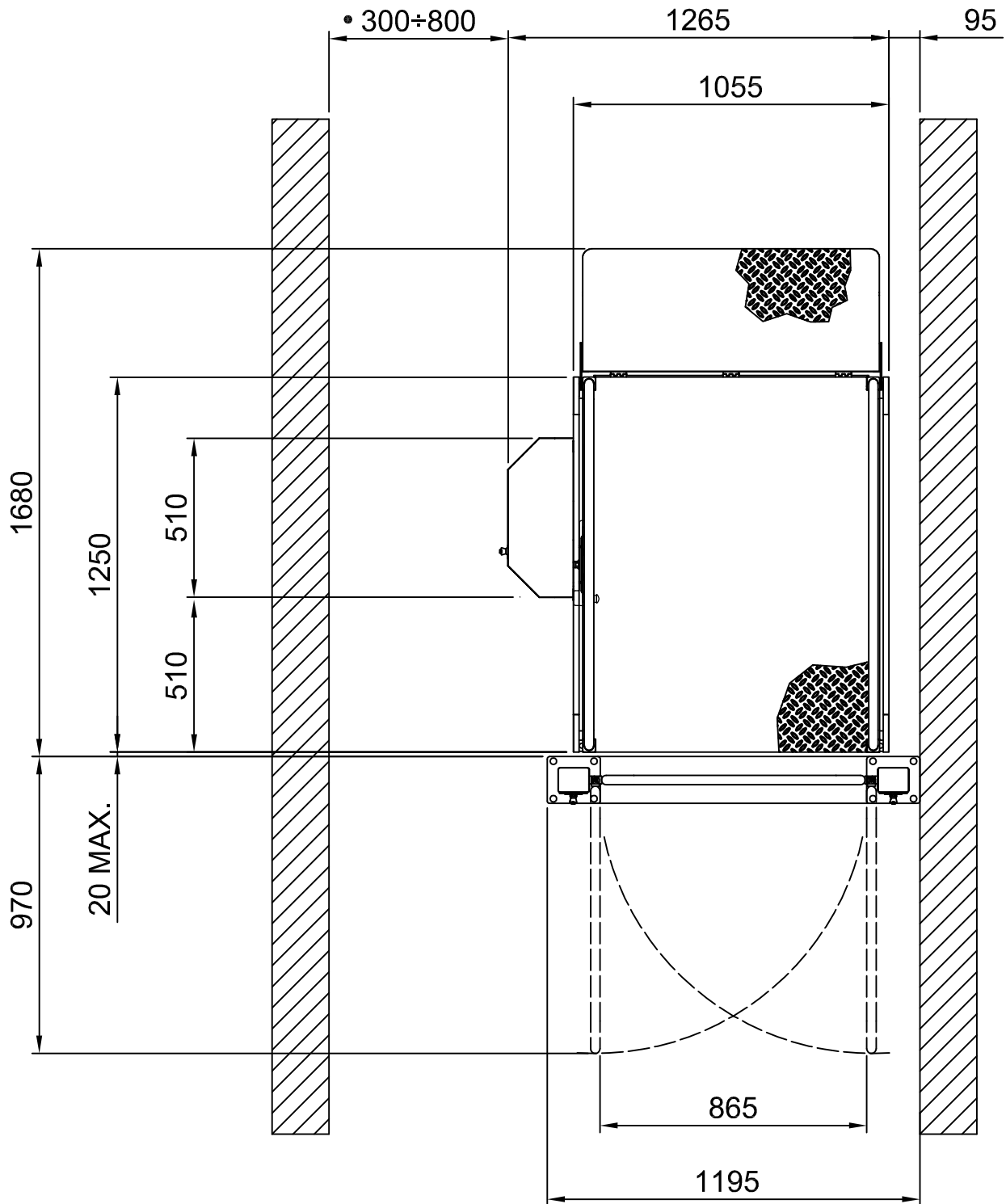


"STANDARD" VERSION, RH - STRAIGHT EXIT



• SEE INSTRUCTION LEAFLET (Pg.11)

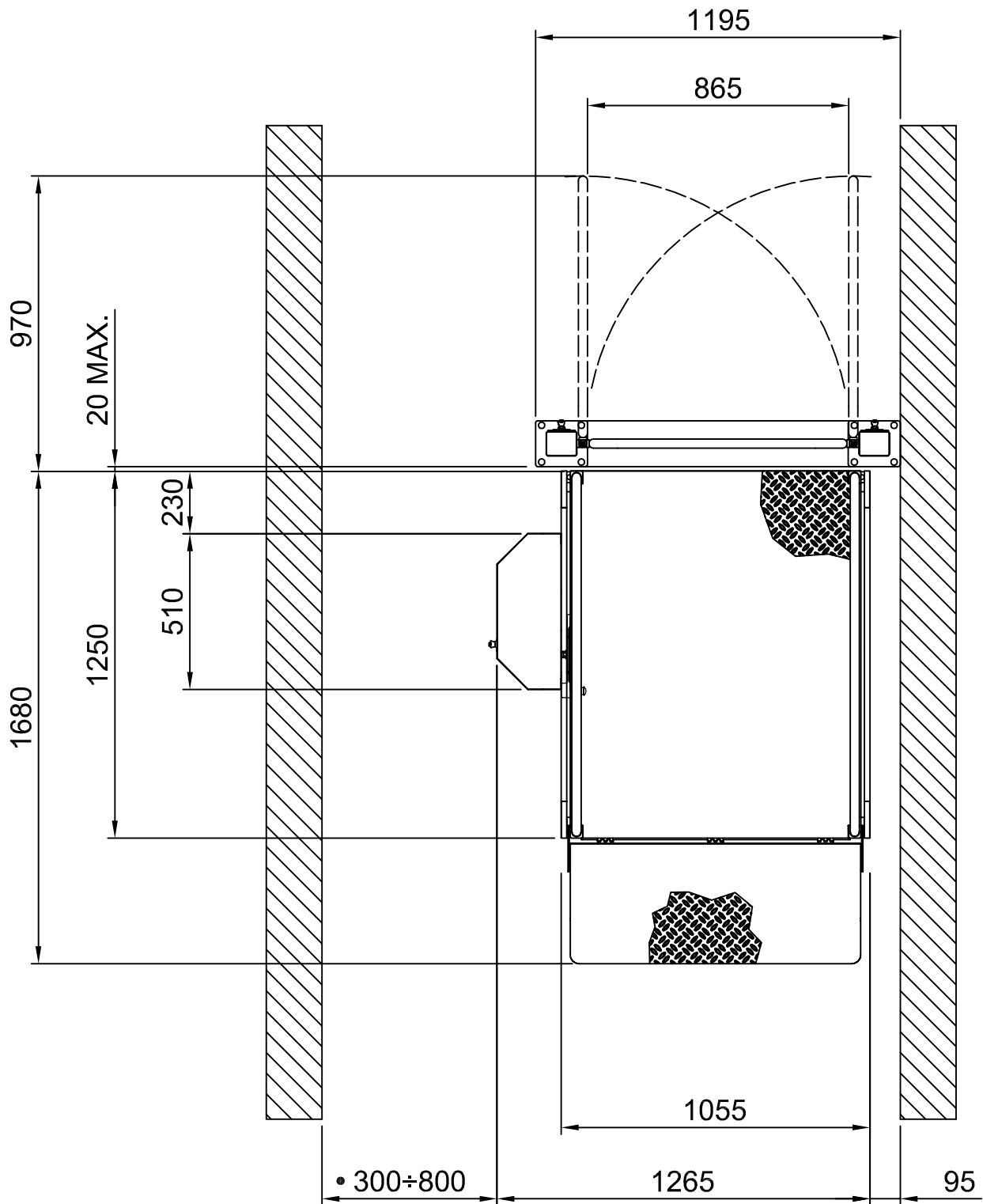
Pg 1/14

DATA	CODICE	REV.
05/11/15	8622900	L

TECHNICAL FEATURES

Rated Load	Power	Voltage	Auxiliary voltage	Speed
400 [daN]	0.6 [KW]	230 AC [V-mon.]	24 [V-DC]	[2.4m/min.]

"STANDARD" VERSION, LH - STRAIGHT EXIT



• SEE INSTRUCTION LEAFLET (Pg.12)

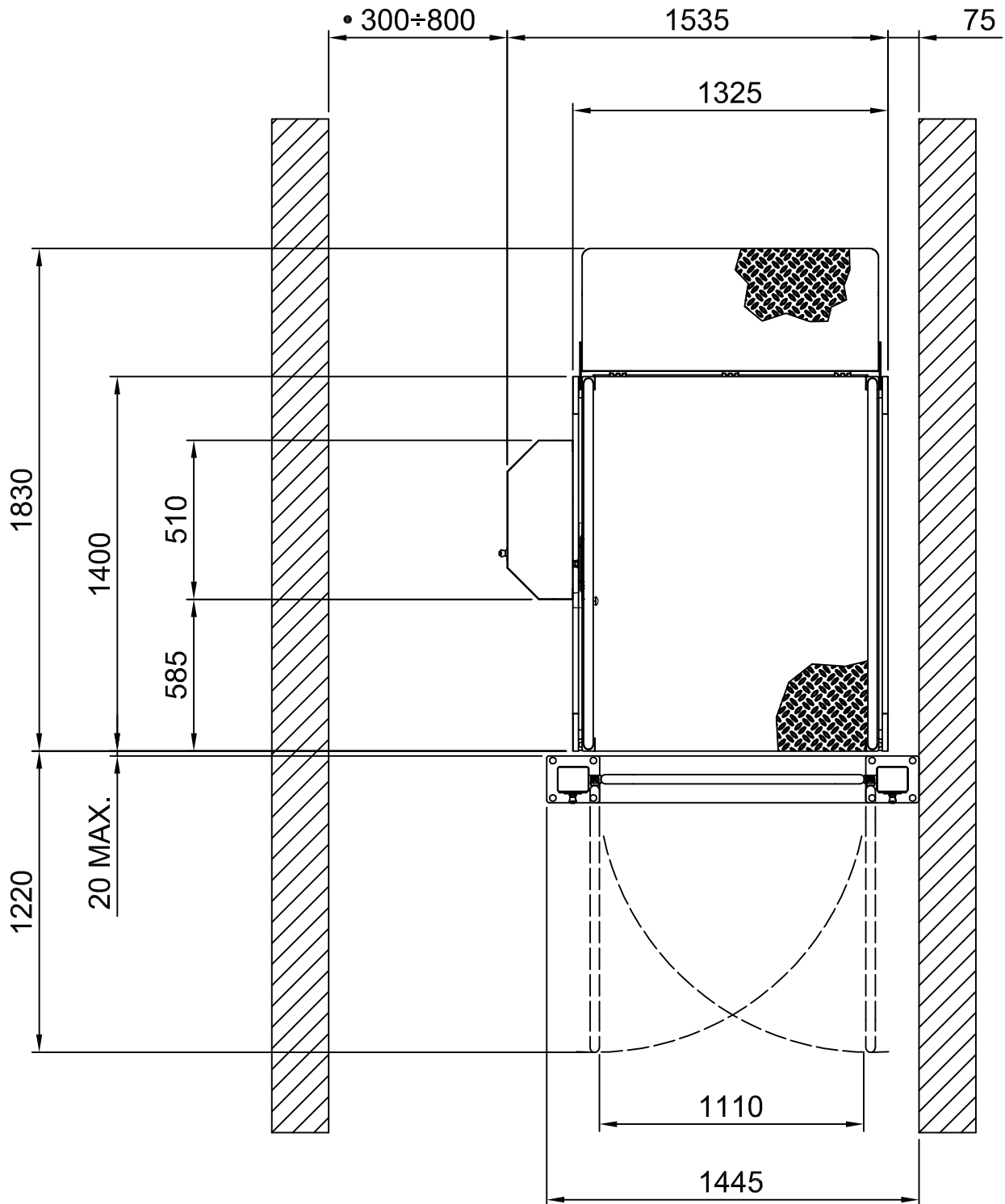
Pg 2/14

DATA	CODICE	REV.
05/11/15	8622900	L

TECHNICAL FEATURES

Rated Load	Power	Voltage	Auxiliary voltage	Speed
400 [daN]	0.6 [KW]	230 AC [V-mon.]	24 [V-DC]	[2.4m/min.]

"LARGE" VERSION, RH - STRAIGHT EXIT



• SEE INSTRUCTION LEAFLET (Pg.11)

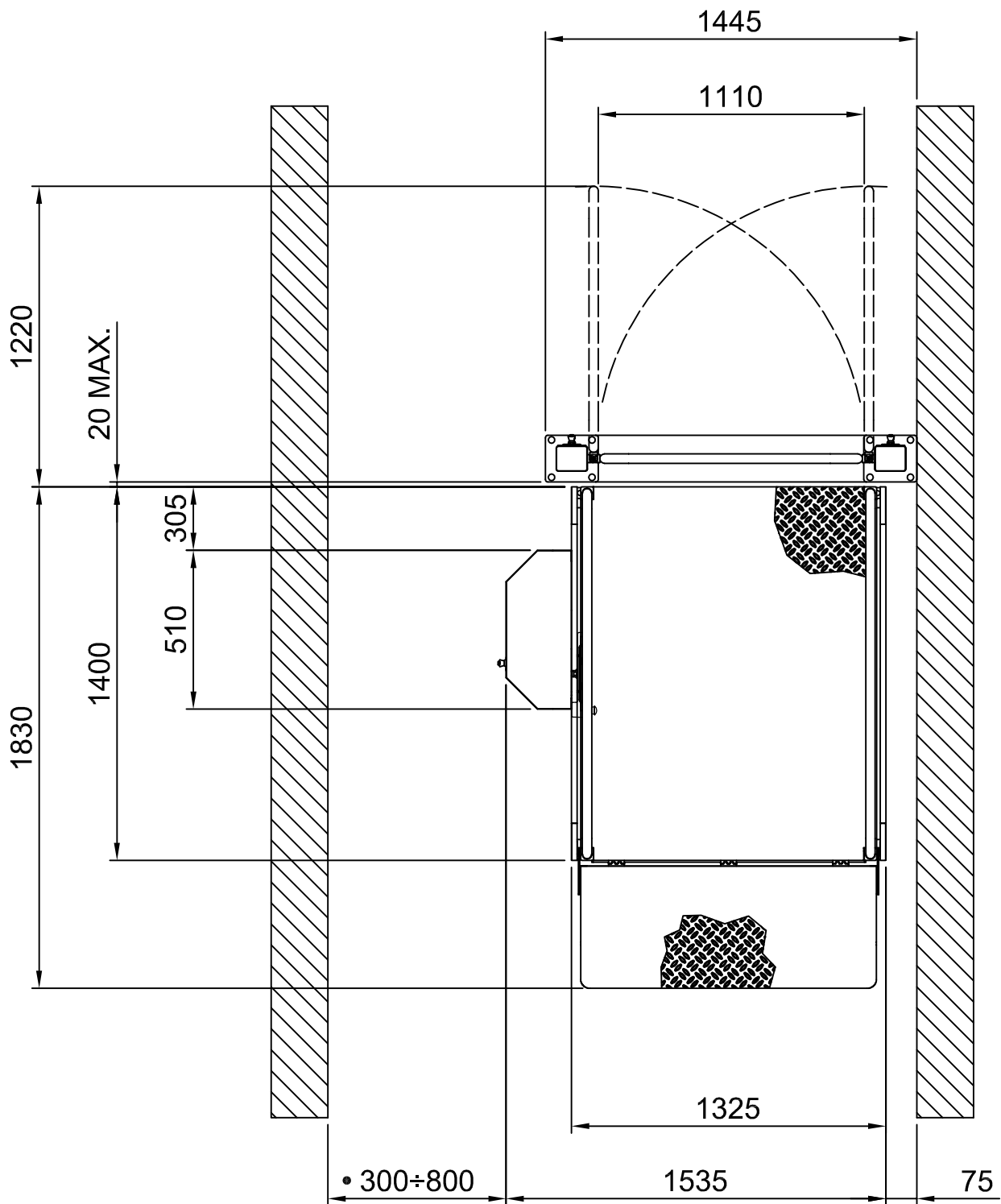
Pg 3/14

DATA	CODICE	REV.
05/11/15	8622900	L

TECHNICAL FEATURES

Rated Load	Power	Voltage	Auxiliary voltage	Speed
400 [daN]	0.6 [KW]	230 AC [V-mon.]	24 [V-DC]	[2.4m/min.]

"LARGE" VERSION, LH - STRAIGHT EXIT



• SEE INSTRUCTION LEAFLET (Pg.12)

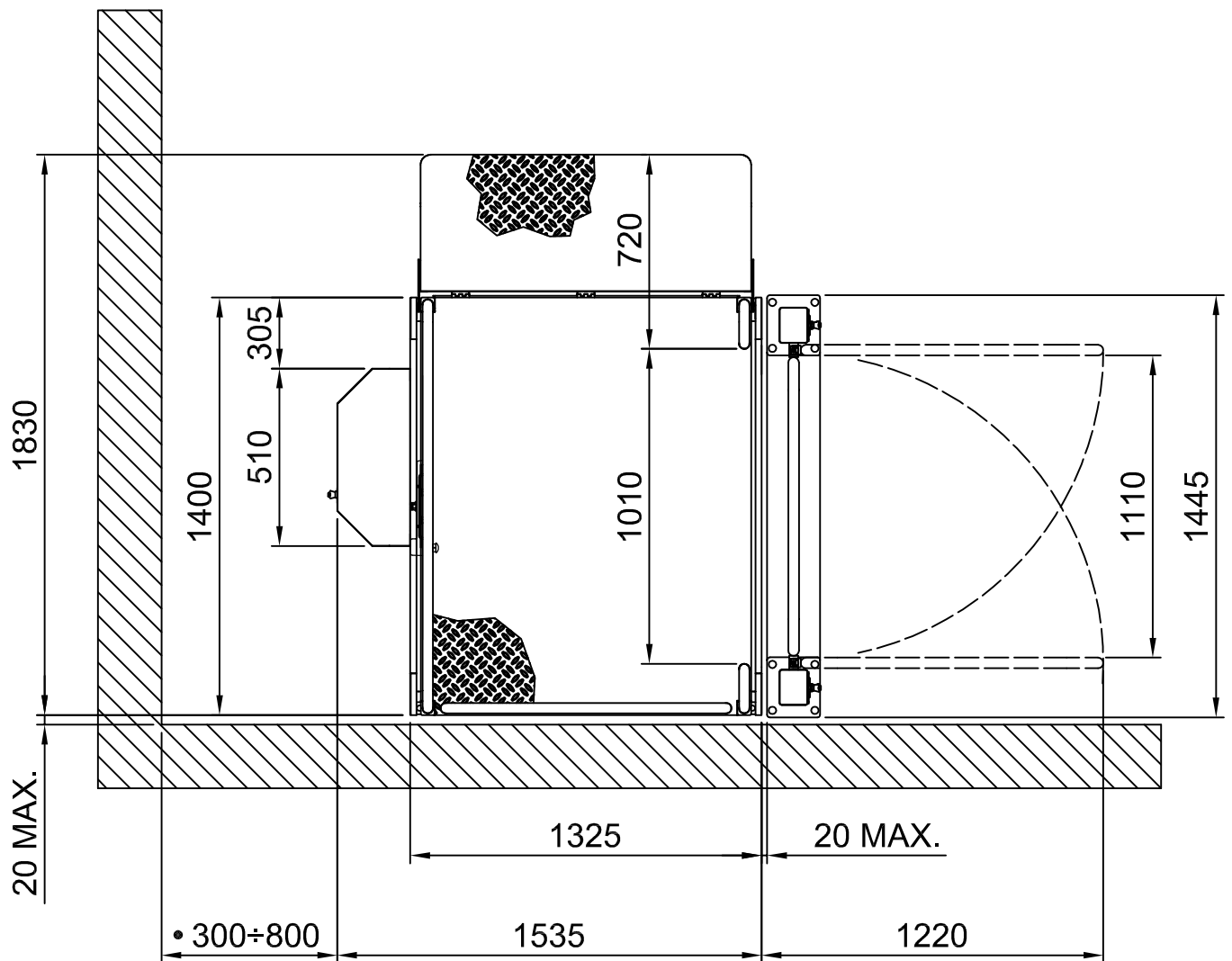
Pg 4/14

DATA	CODICE	REV.
05/11/15	8622900	L

TECHNICAL FEATURES

Rated Load	Power	Voltage	Auxiliary voltage	Speed
400 [daN]	0.6 [KW]	230 AC [V-mon.]	24 [V-DC]	[2.4m/min.]

"LARGE" VERSION, RH - 90° EXIT



• SEE INSTRUCTION LEAFLET (Pg.11)

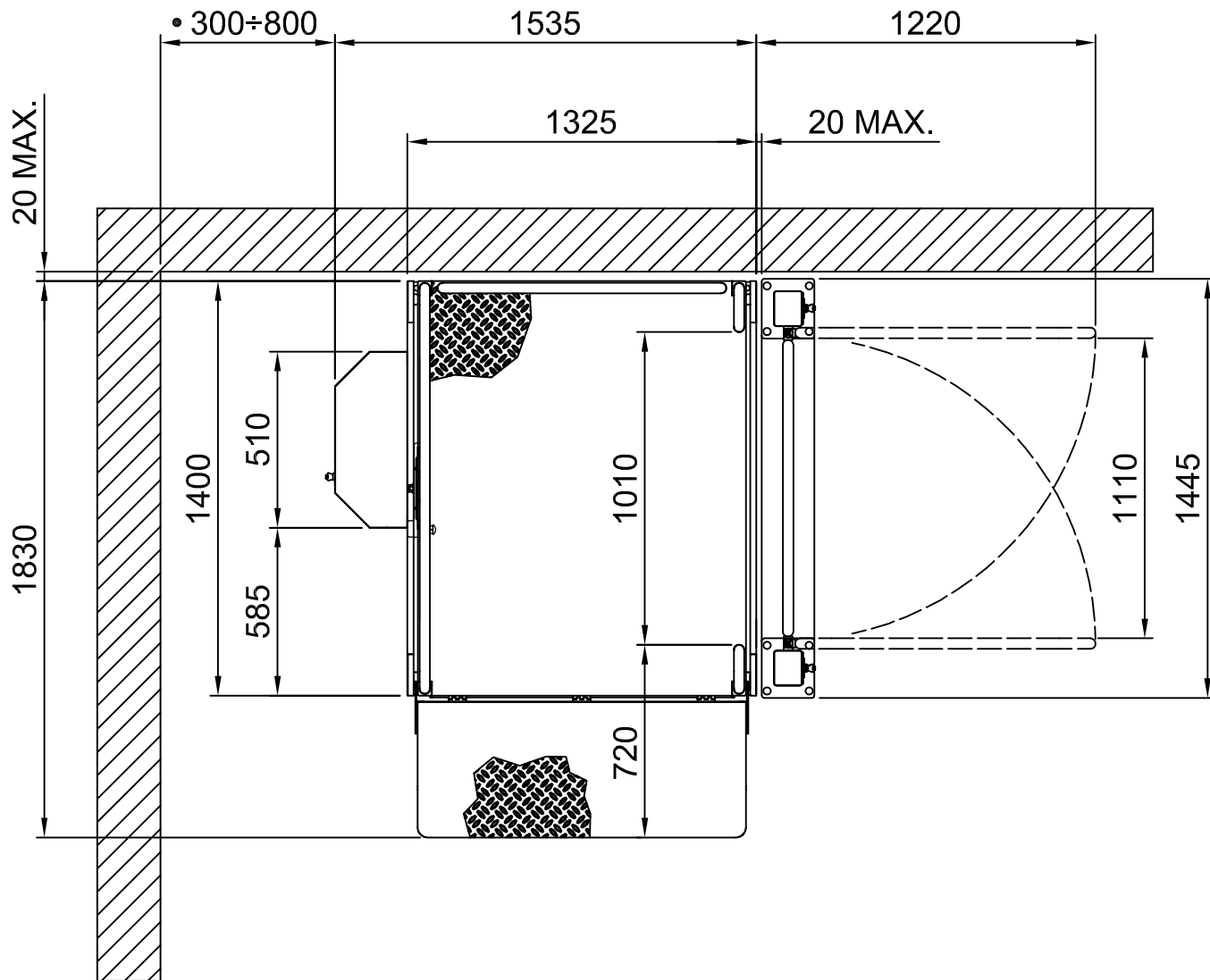
Pg 5/14

DATA	CODICE	REV.
05/11/15	8622900	L

TECHNICAL FEATURES

Rated Load	Power	Voltage	Auxiliary voltage	Speed
400 [daN]	0.6 [KW]	230 AC [V-mon.]	24 [V-DC]	[2.4m/min.]

"LARGE" VERSION, LH - 90° EXIT



• SEE INSTRUCTION LEAFLET (Pg.12)

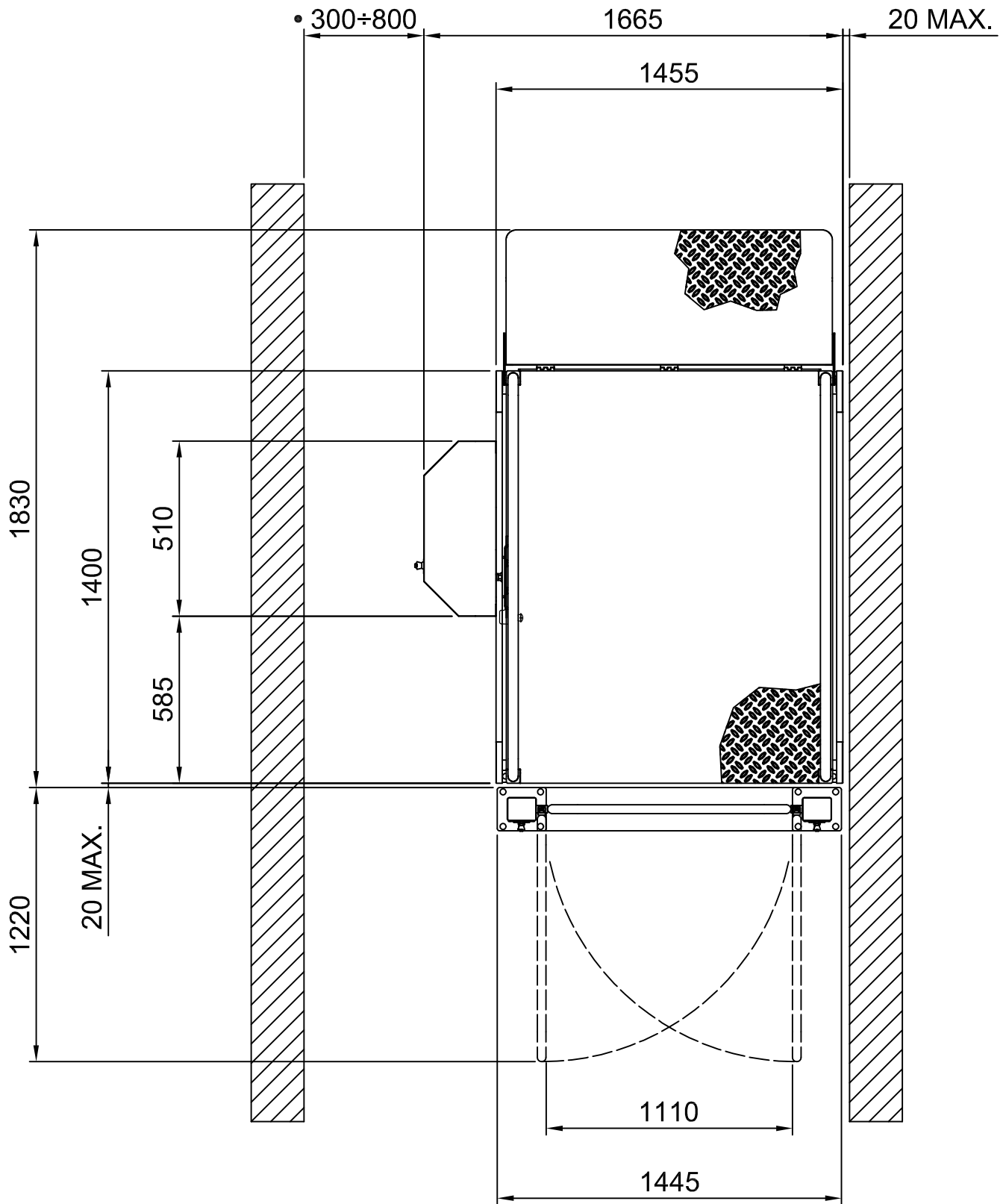
Pg 6/14

DATA	CODICE	REV.
05/11/15	8622900	L

TECHNICAL FEATURES

Rated Load	Power	Voltage	Auxiliary voltage	Speed
400 [daN]	0.6 [KW]	230 AC [V-mon.]	24 [V-DC]	[2.4m/min.]

"EXTRA LARGE" VERSION, RH - STRAIGHT EXIT



• SEE INSTRUCTION LEAFLET (Pg.11)

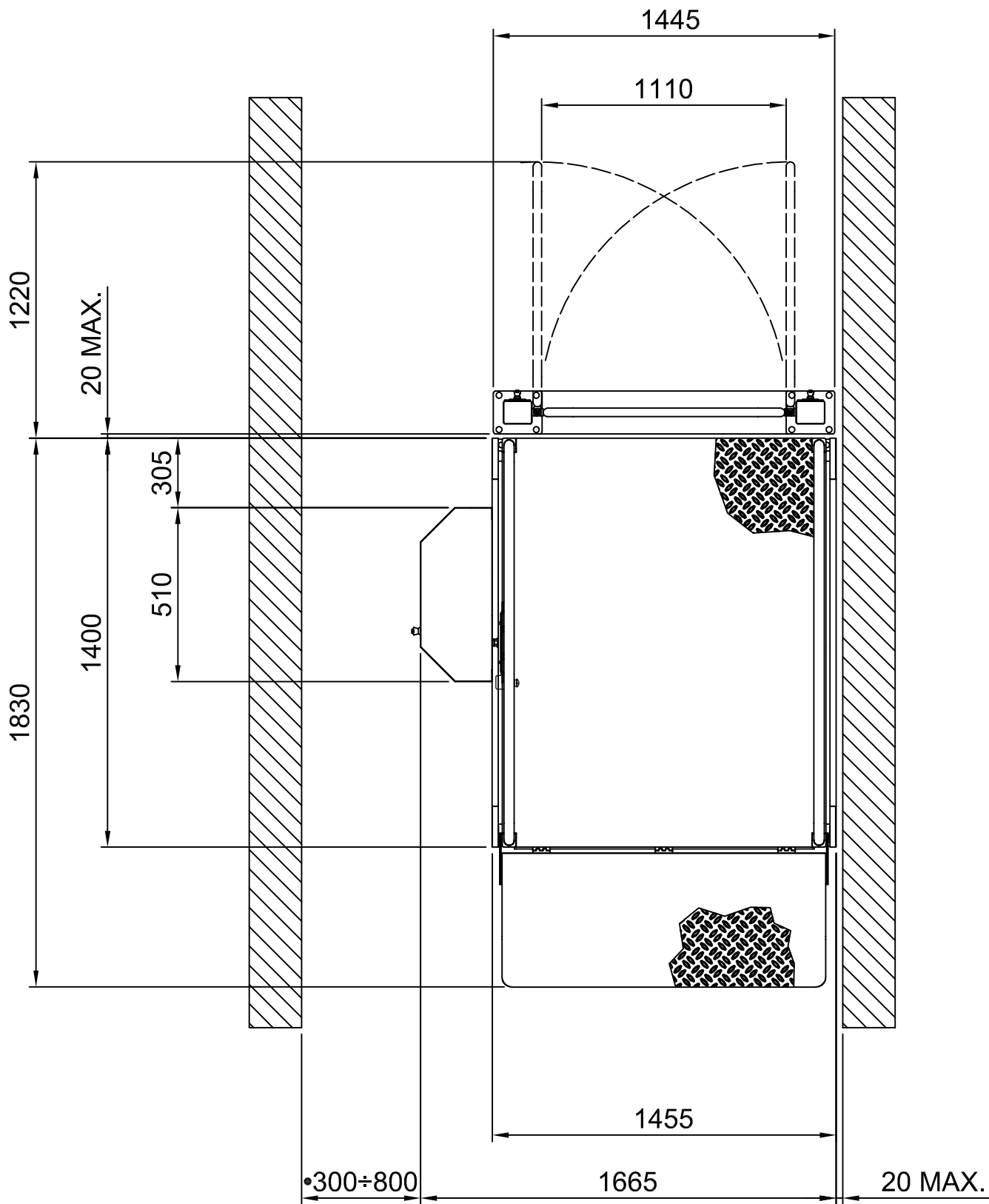
Pg 7/14

DATA	CODICE	REV.
05/11/15	8622900	L

TECHNICAL FEATURES

Rated Load	Power	Voltage	Auxiliary voltage	Speed
400 [daN]	0.6 [KW]	230 AC [V-mon.]	24 [V-DC]	[2.4m/min.]

"EXTRA LARGE" VERSION, LH - STRAIGHT EXIT



• SEE INSTRUCTION LEAFLET (Pg.12)

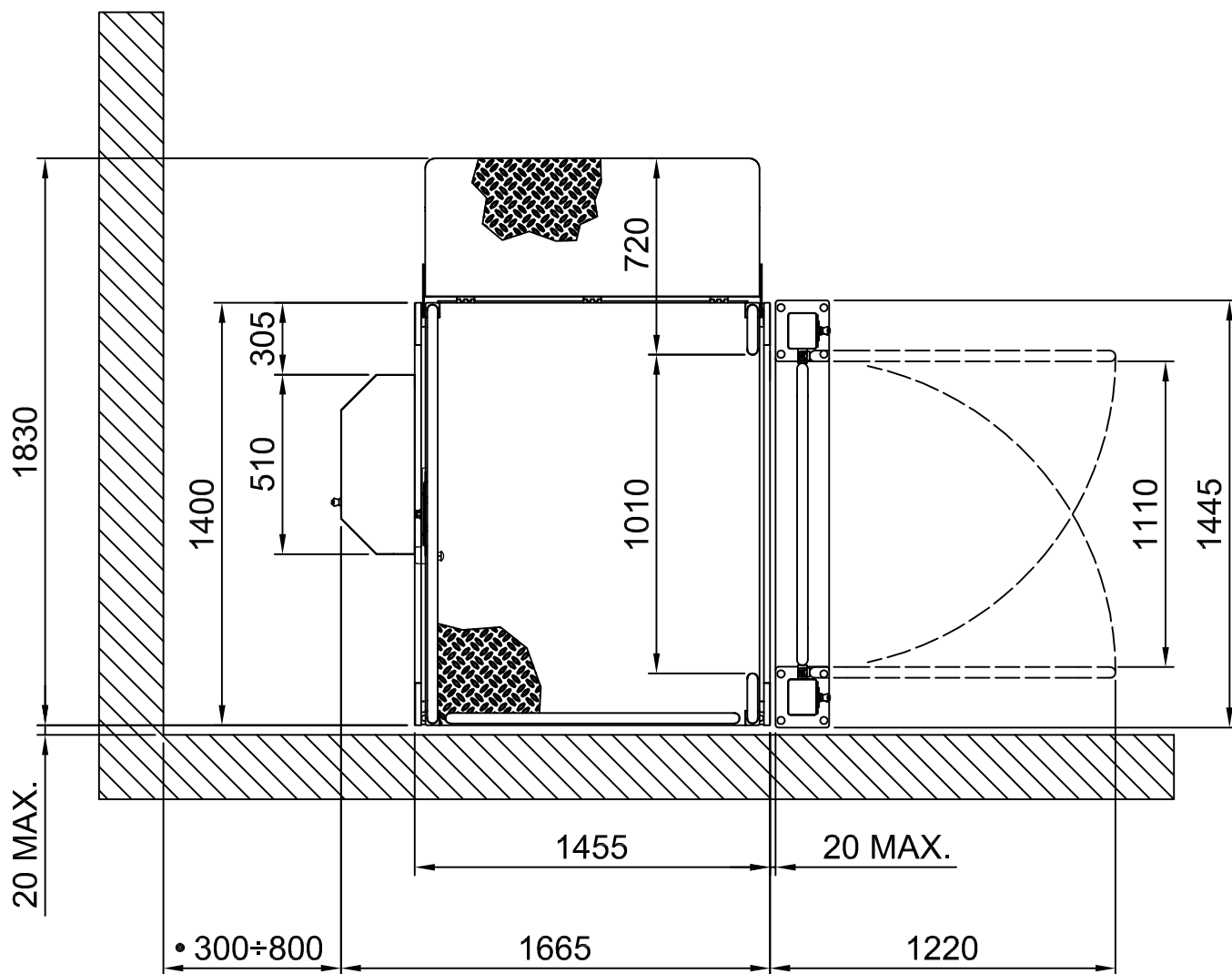
Pg 8/14

DATA	CODICE	REV.
05/11/15	8622900	L

TECHNICAL FEATURES

Rated Load	Power	Voltage	Auxiliary voltage	Speed
400 [daN]	0.6 [KW]	230 AC [V-mon.]	24 [V-DC]	[2.4m/min.]

"EXTRA LARGE" VERSION, RH - 90° EXIT



• SEE INSTRUCTION LEAFLET (Pg.11)

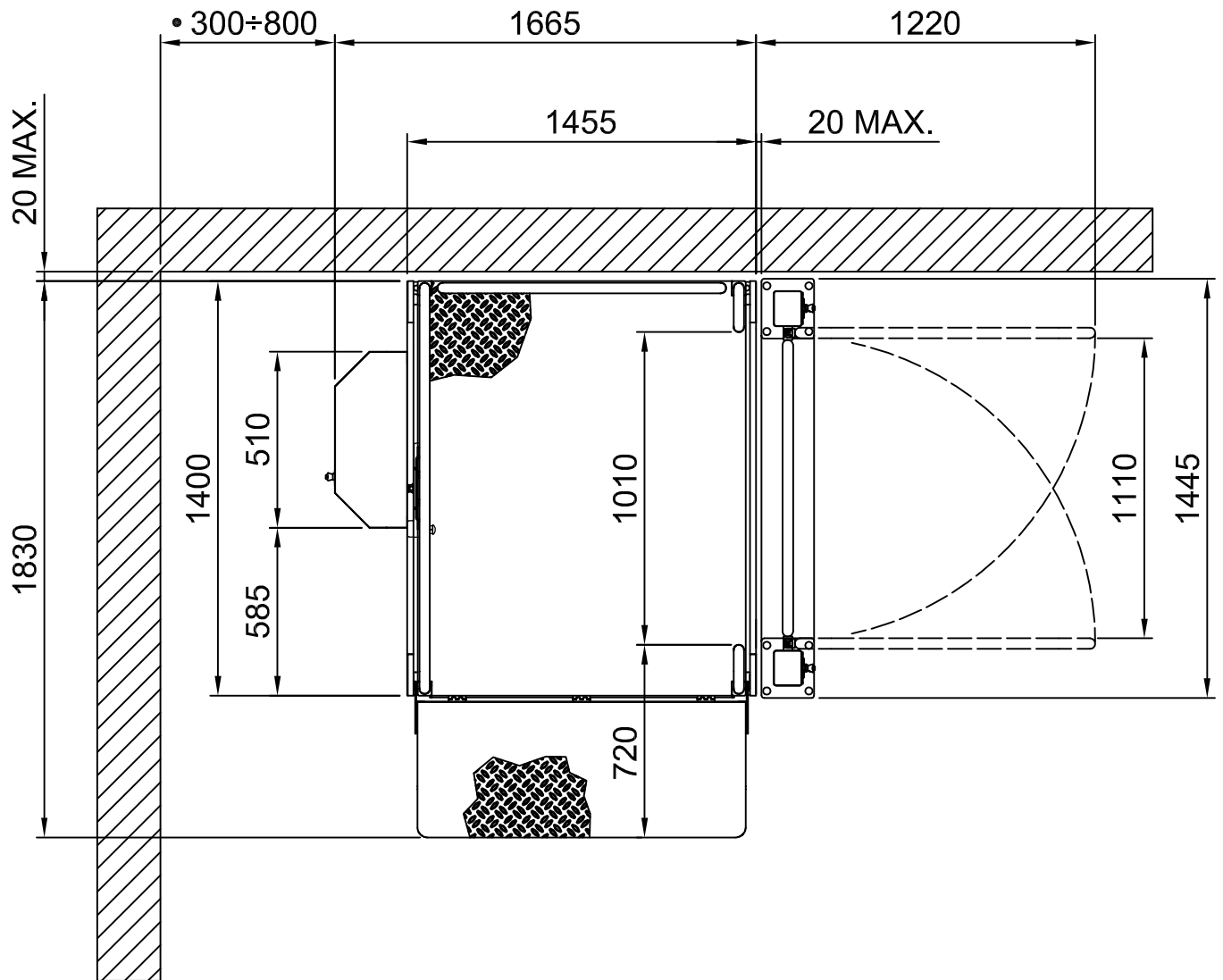
Pg 9/14

DATA	CODICE	REV.
05/11/15	8622900	L

TECHNICAL FEATURES

Rated Load	Power	Voltage	Auxiliary voltage	Speed
400 [daN]	0.6 [KW]	230 AC [V-mon.]	24 [V-DC]	[2.4m/min.]

"EXTRA LARGE" VERSION, LH - 90° EXIT



• SEE INSTRUCTION LEAFLET (Pg.12)

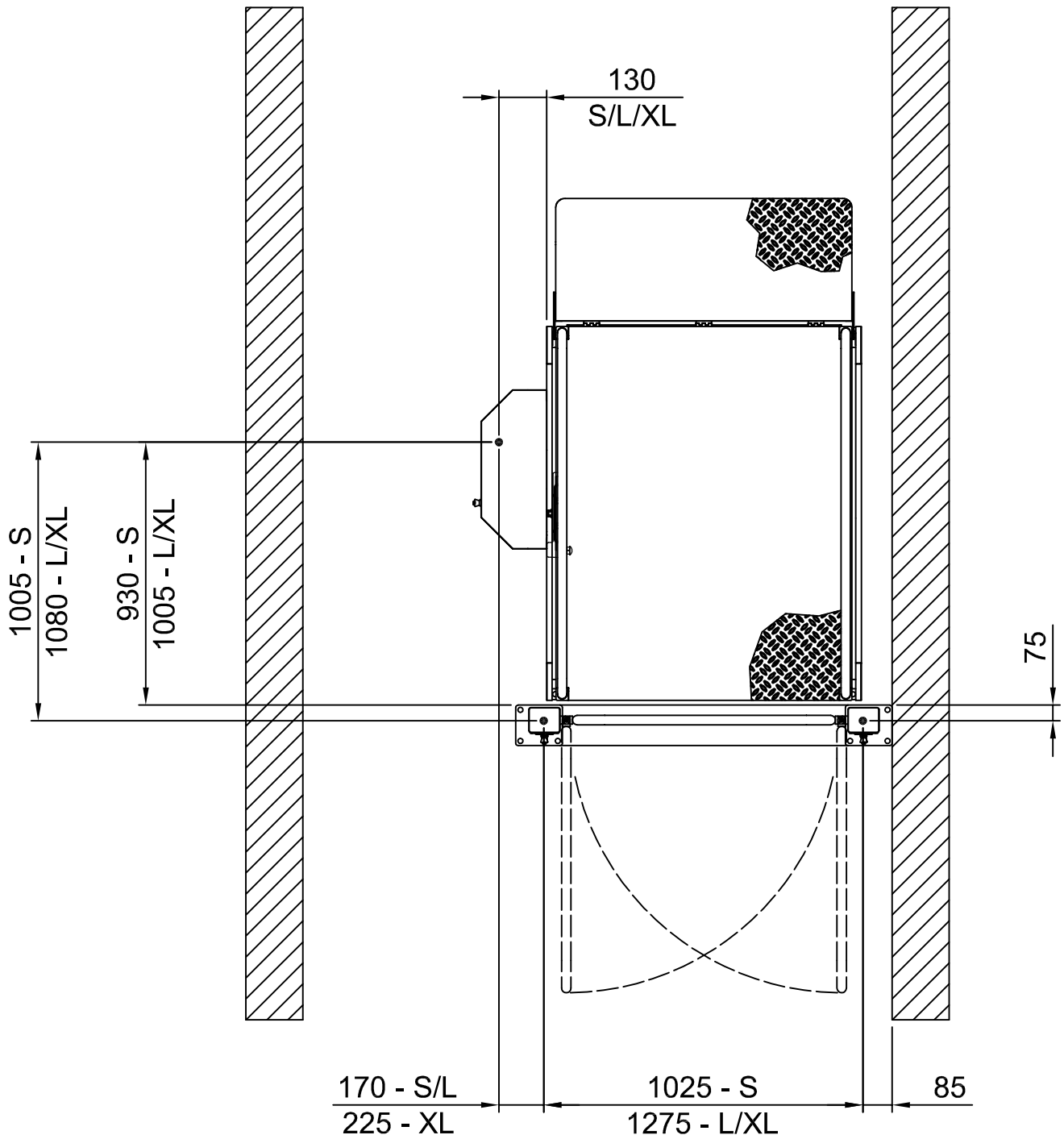
Pg 10/14

DATA	CODICE	REV.
05/11/15	8622900	L

TECHNICAL FEATURES

Rated Load	Power	Voltage	Auxiliary voltage	Speed
400 [daN]	0.6 [KW]	230 AC [V-mon.]	24 [V-DC]	[2.4m/min.]

DIAGRAM FOR DRILLING HOLES FOR CORRUGATED
CABLE HOSES - RH VERSION



- Area of electric cables $\varnothing 40$

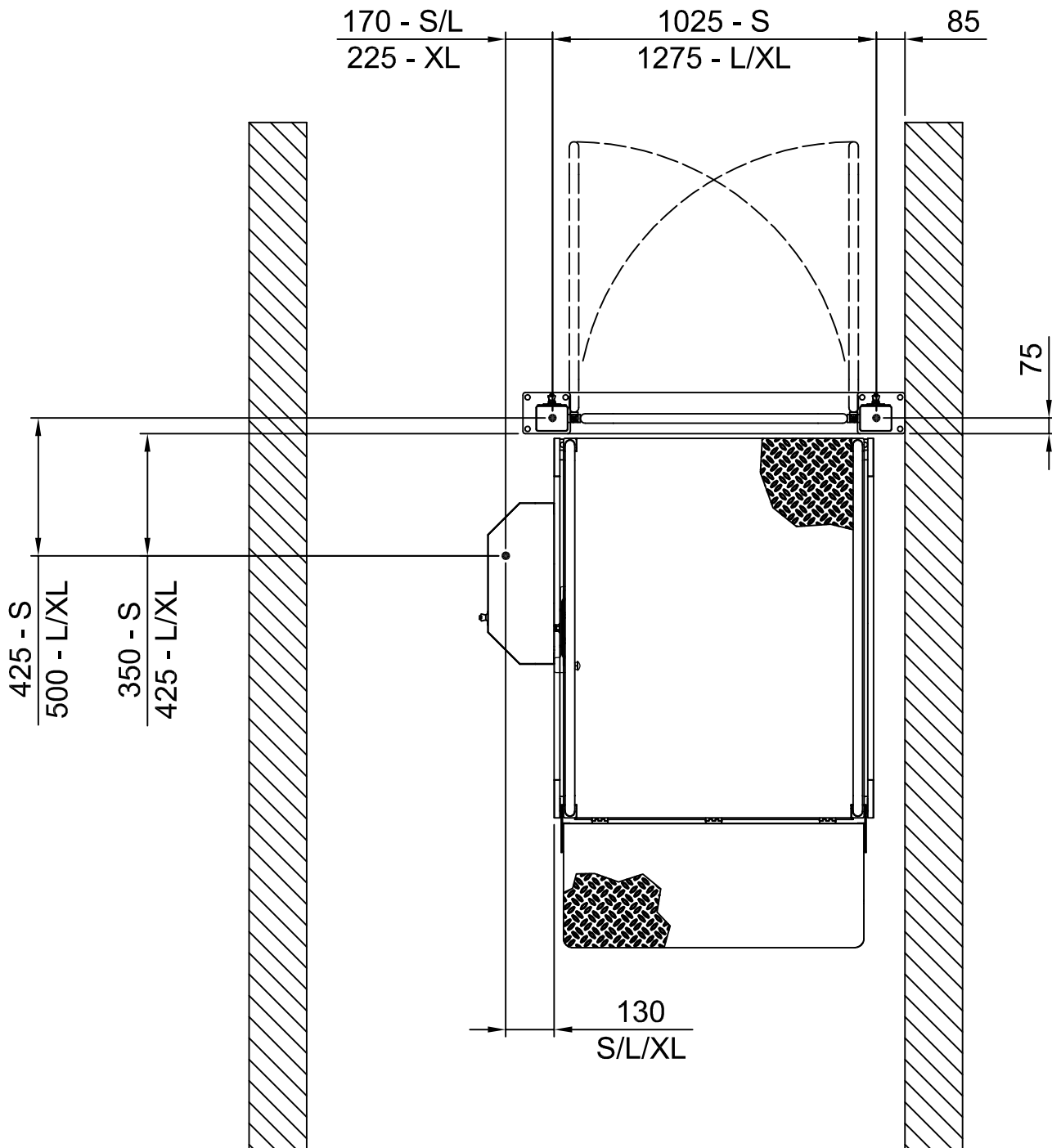
Pg 11/14

DATA	CODICE	REV.
05/11/15	8622900	L

TECHNICAL FEATURES

Rated Load	Power	Voltage	Auxiliary voltage	Speed
400 [daN]	0.6 [KW]	230 AC [V-mon.]	24 [V-DC]	[2.4m/min.]

DIAGRAM FOR DRILLING HOLES FOR CORRUGATED
CABLE HOSES - LH VERSION

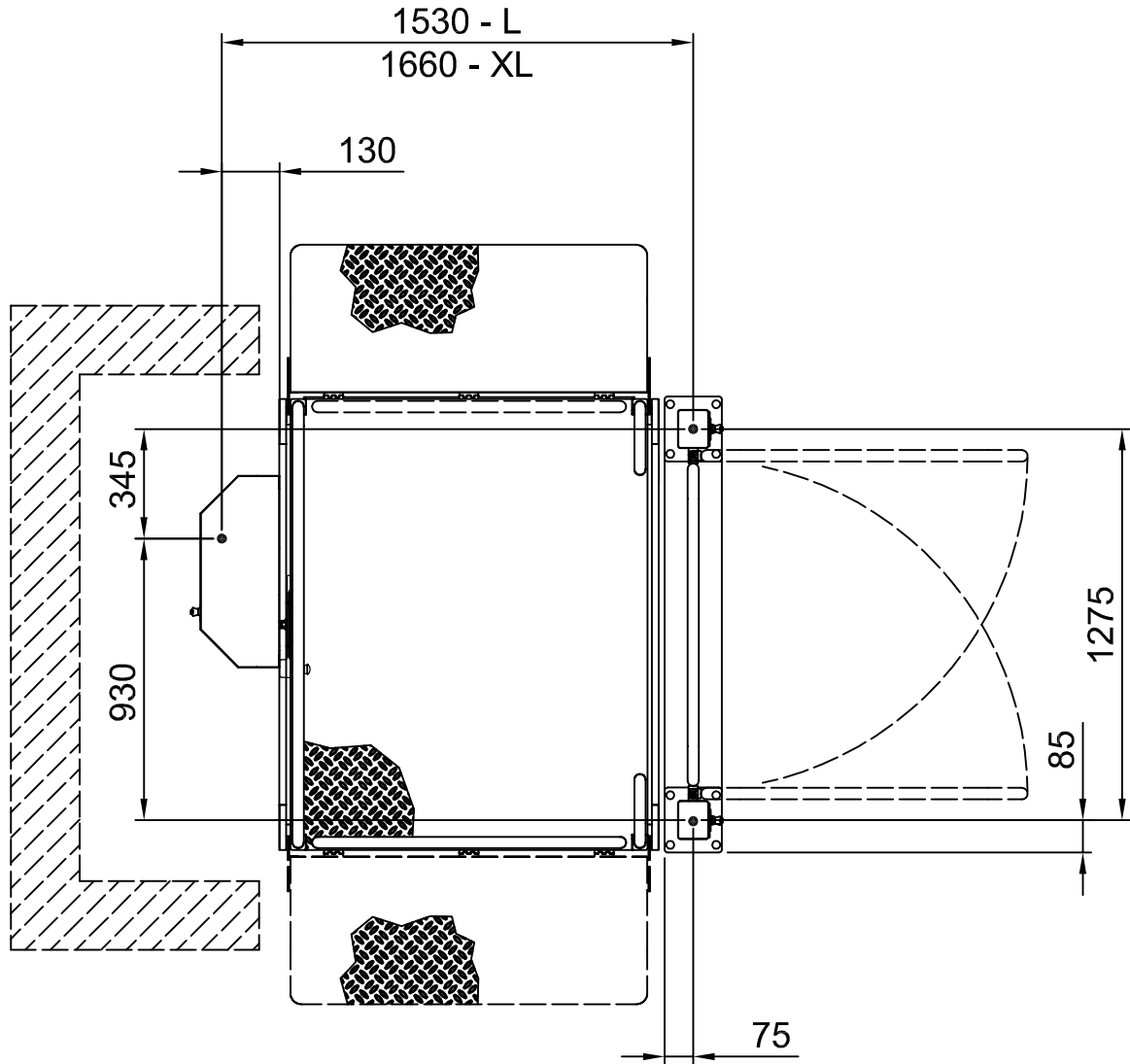


- Area of electric cables Ø40

TECHNICAL FEATURES

Rated Load	Power	Voltage	Auxiliary voltage	Speed
400 [daN]	0.6 [KW]	230 AC [V-mon.]	24 [V-DC]	[2.4m/min.]

"LARGE" VERSION, RH/LH - 90° EXIT
"EXTRA LARGE" VERSION, RH/LH - 90° EXIT



- Area of electric cables Ø40

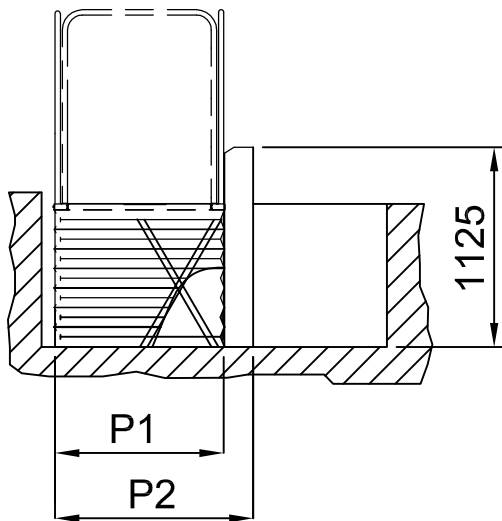
TECHNICAL FEATURES

Rated Load	Power	Voltage	Auxiliary voltage	Speed
400 [daN]	0.6 [KW]	230 AC [V-mon.]	24 [V-DC]	[2.4m/min.]

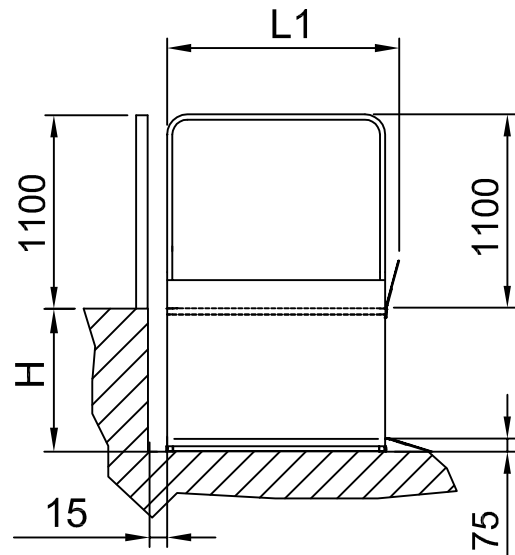
STANDARD SIZES

	S08 Silver (L x P)	S08 Silver (1250x850)	S08 Silver (1400x1120)	S08 Silver (1400x1250)
L1	(length sluice)	1400	1550	1550
P1	(width structure)	1055	1325	1455
P2	(width total)	1265	1535	1665
H	(overall length)	800	1000	1000

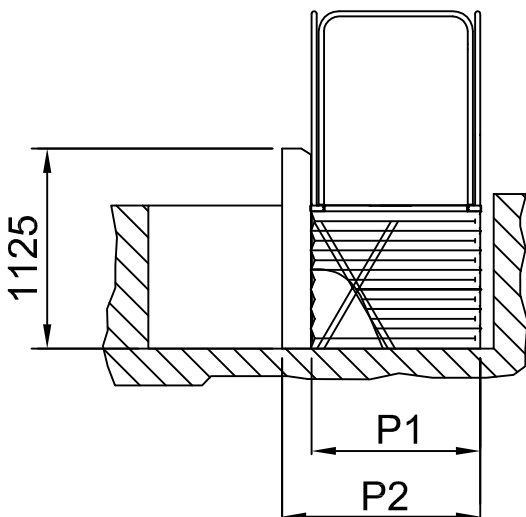
FRONT VIEW
RH VERSION



SIDE VIEW



FRONT VIEW
LH VERSION



TECHNICAL FEATURES

Rated Load	Power	Voltage	Auxiliary voltage	Speed
400 [daN]	0.6 [KW]	230 AC [V-mon.]	24 [V-DC]	[2.4m/min.]