

PLATFORM DIMENSION

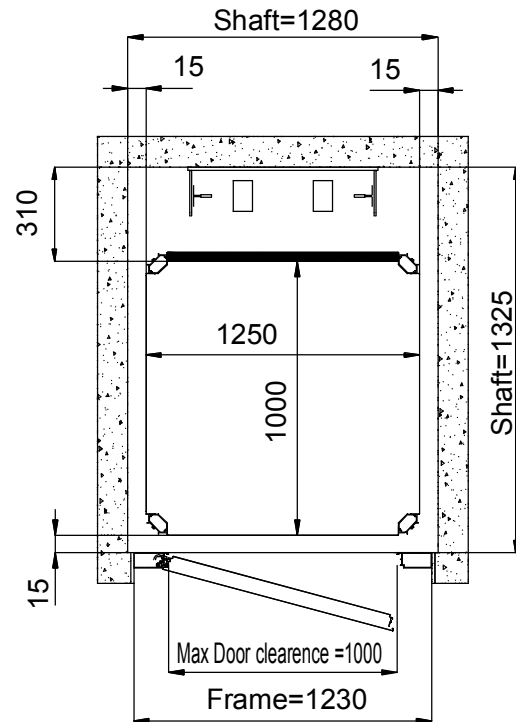
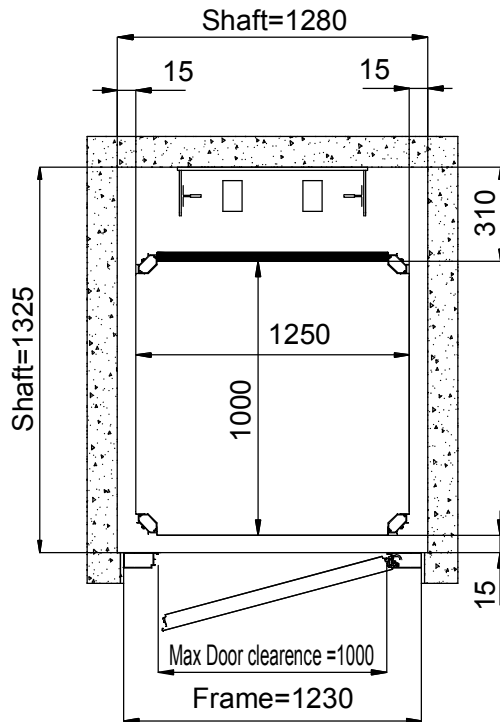
1250x1000

CLEAR

DIMENSIONS 1250x1000

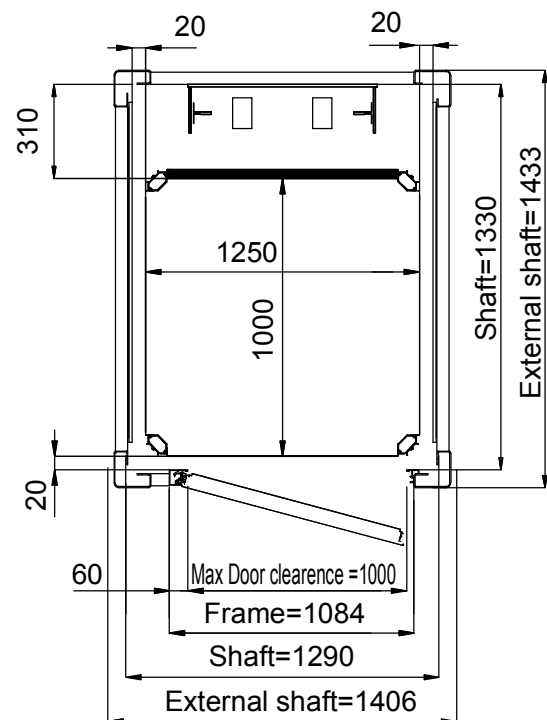
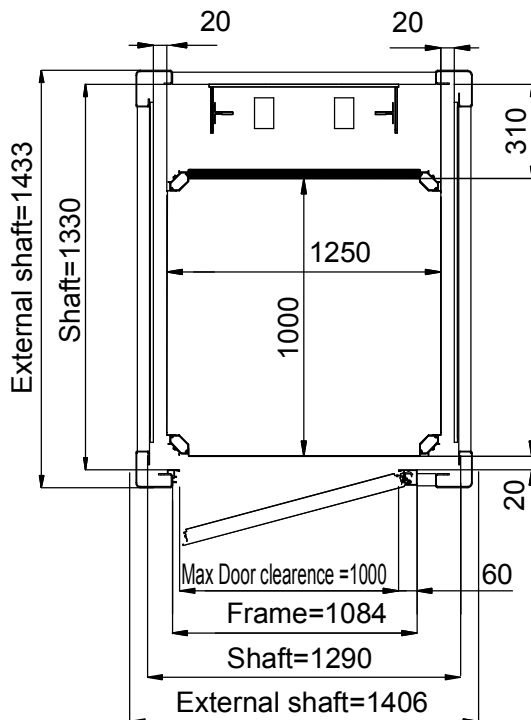
FRONTAL ACCESS PANEL DOOR

MASONRY SHAFT



FRONTAL ACCESS ALUMINIUM DOOR

SHAFT

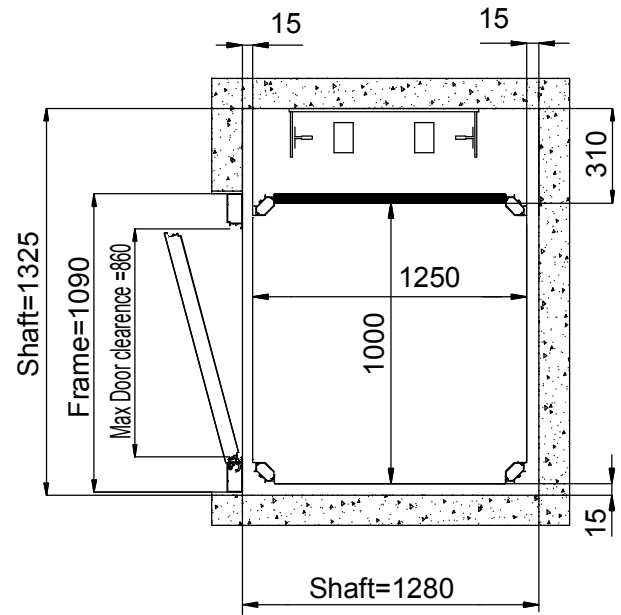
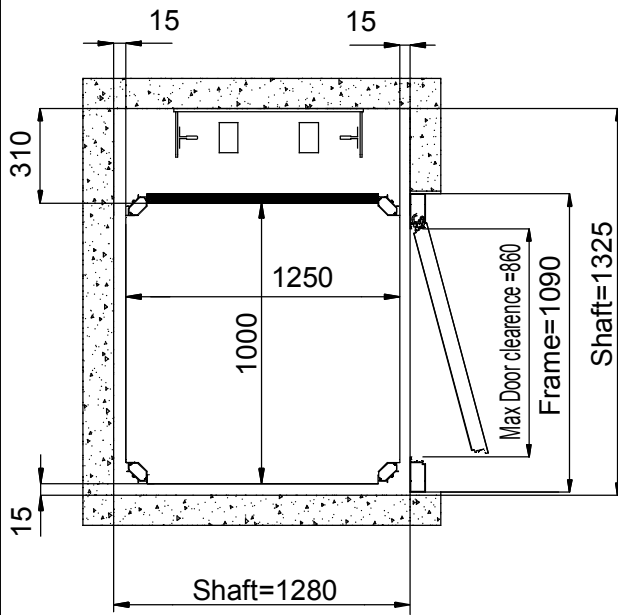


ALL DIMENSIONS IN MM.

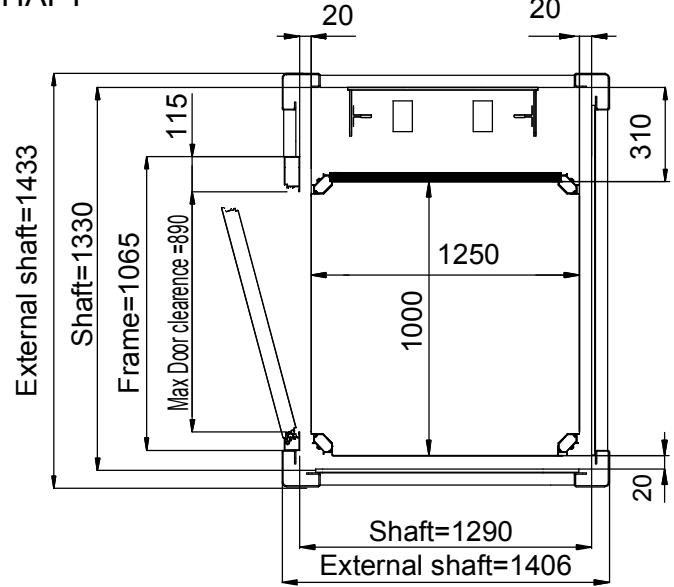
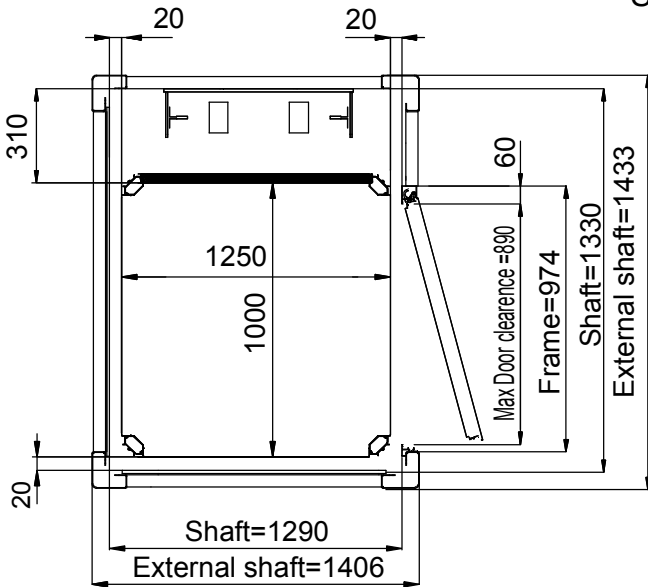
DATA	CODICE	Rev.
20-03-14	8623301	g

PLATFORM DIMENSION
1250x1000
CLEAR
DIMENSIONS 1250x1000

SIDE ACCESS PANEL DOOR
MASONRY SHAFT



SIDE ACCESS ALUMINIUM DOOR
SHAFT



ALL DIMENSIONS IN MM.

DATA	CODICE	Rev.
20-03-14	8623301	g

PLATFORM DIMENSION

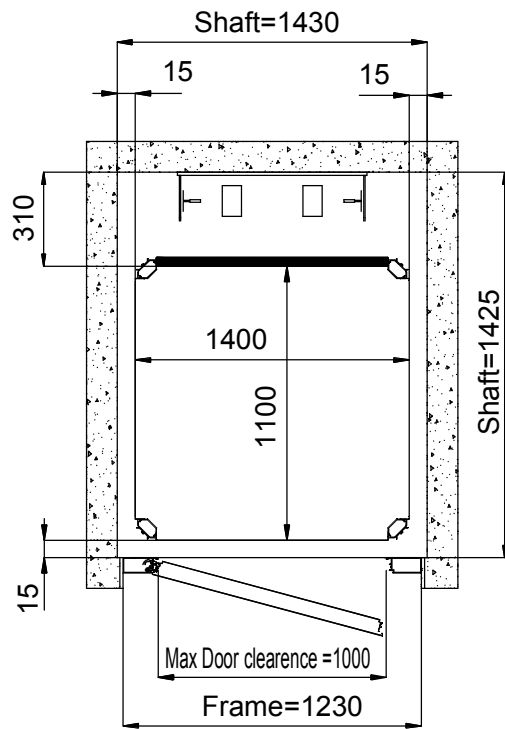
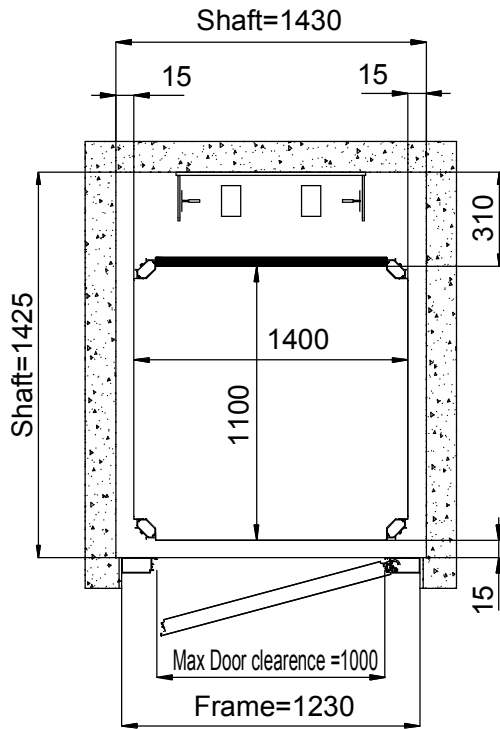
1400x1100

CLEAR

DIMENSIONS 1400x1100

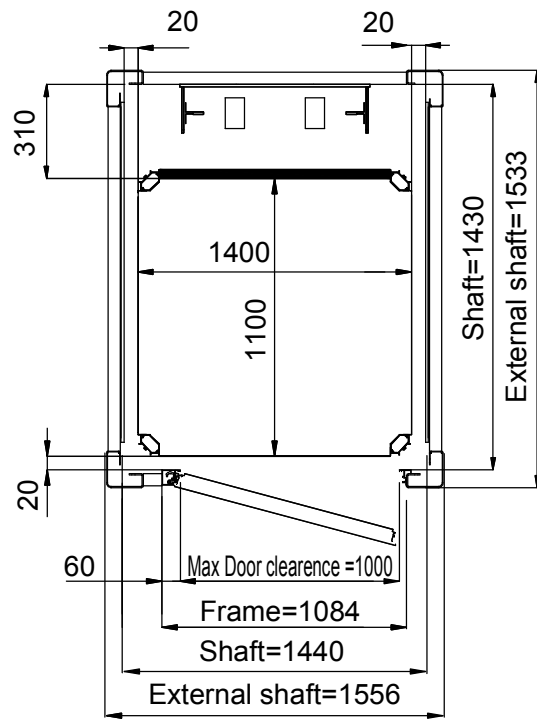
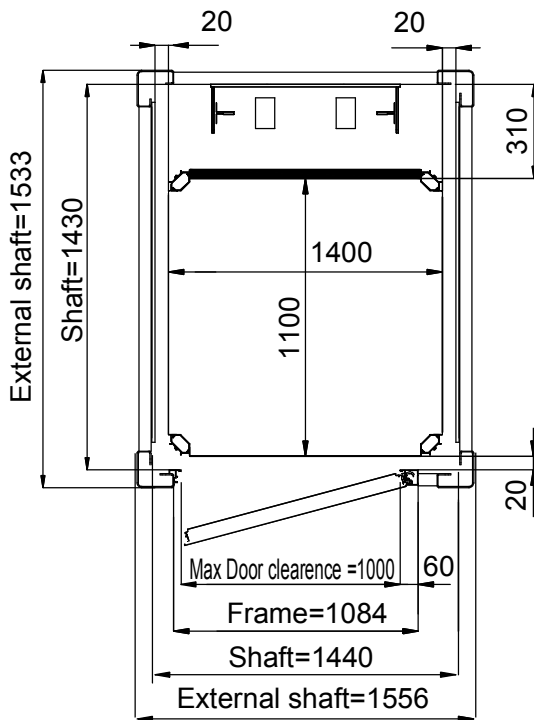
FRONTAL ACCESS PANEL DOOR

MASONRY SHAFT



FRONTAL ACCESS ALUMINIUM DOOR

SHAFT



ALL DIMENSIONS IN MM.

DATA	CODICE	Rev.
20-03-14	8623301	g

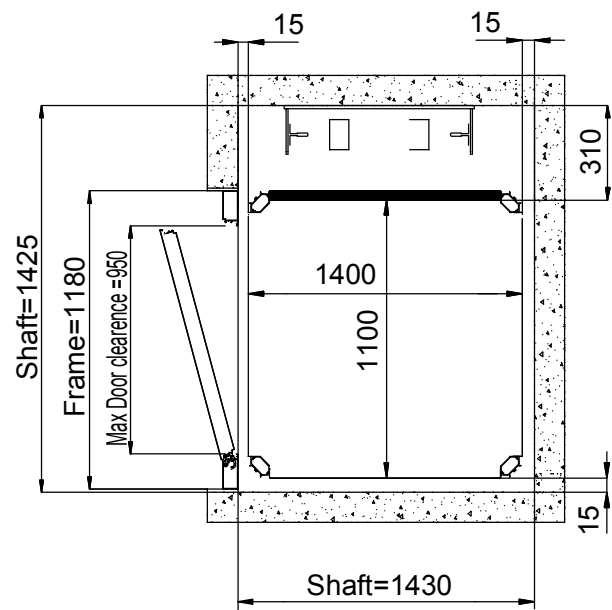
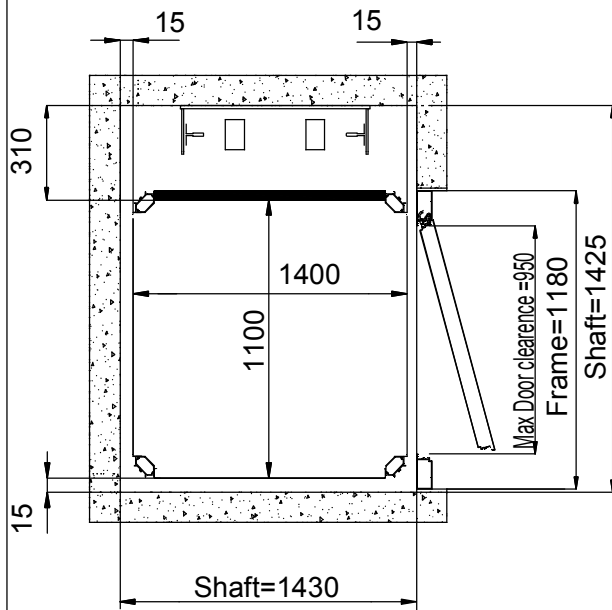
PLATFORM DIMENSION

1400x1100

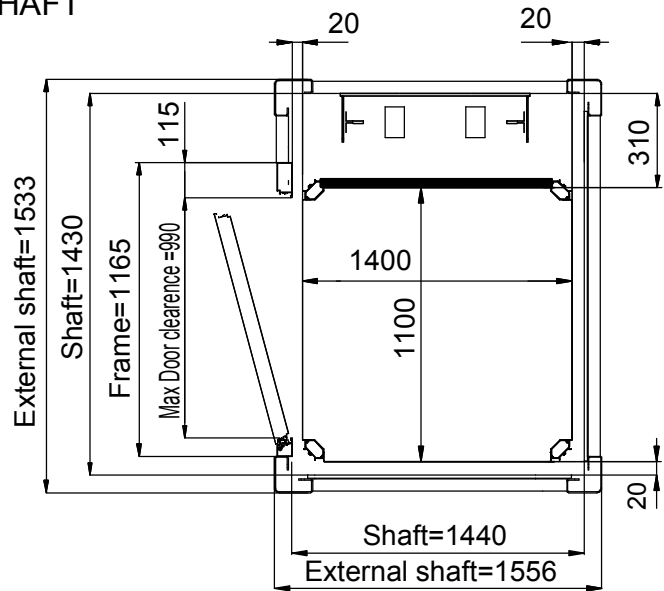
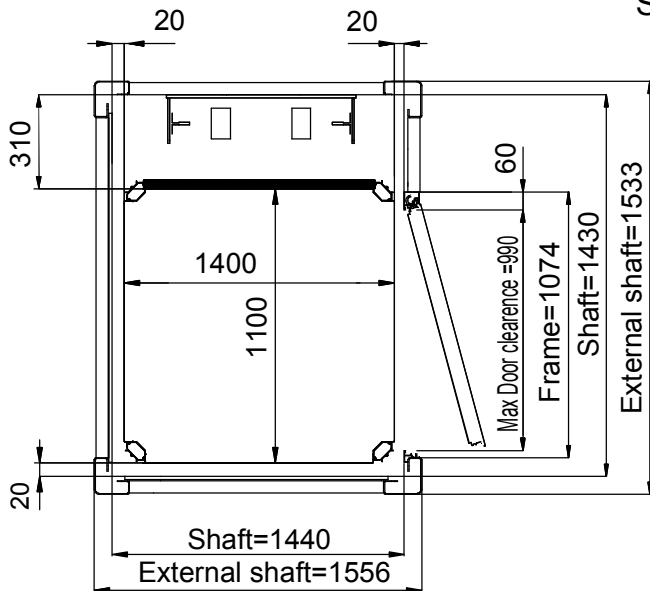
CLEAR

DIMENSIONS 1400x1100

**SIDE ACCESS PANEL DOOR
MASONRY SHAFT**



**SIDE ACCESS ALUMINIUM DOOR
SHAFT**



ALL DIMENSIONS IN MM.

DATA	CODICE	Rev.
20-03-14	8623301	g

PLATFORM DIMENSION

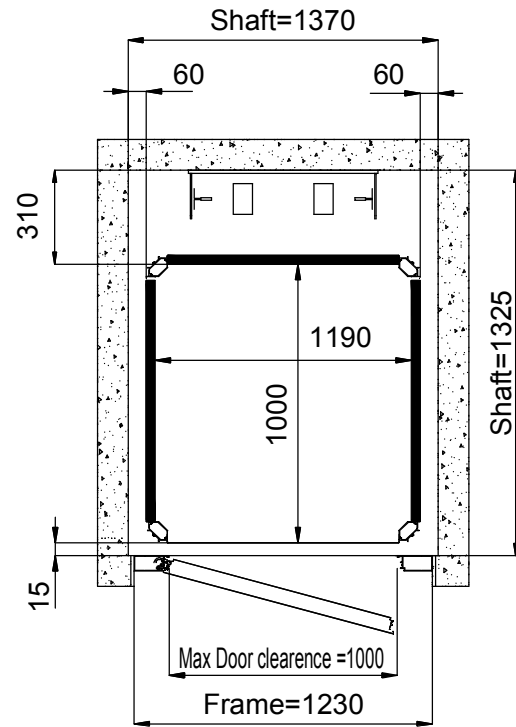
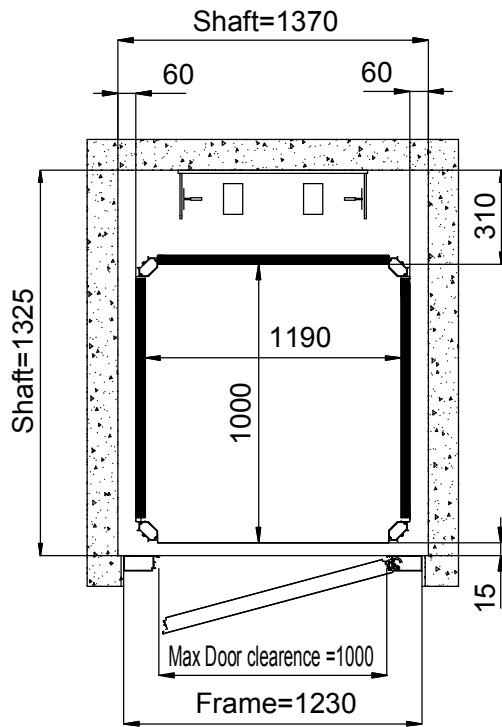
1250x1000

CLEAR

DIMENSIONS 1190x1000

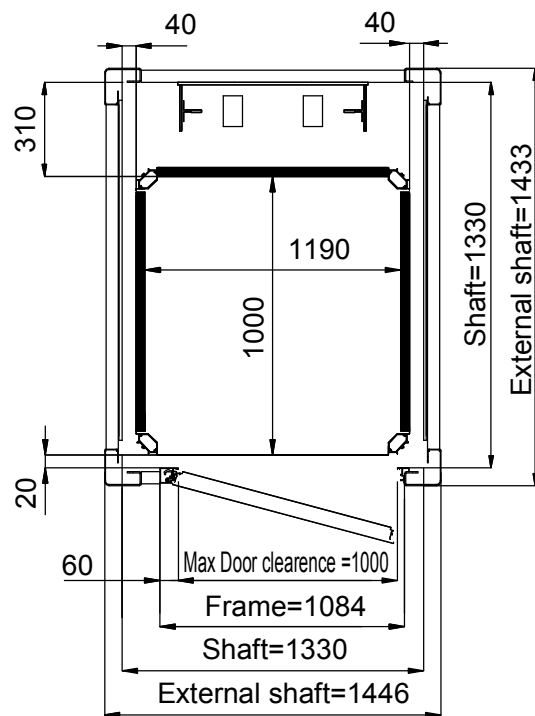
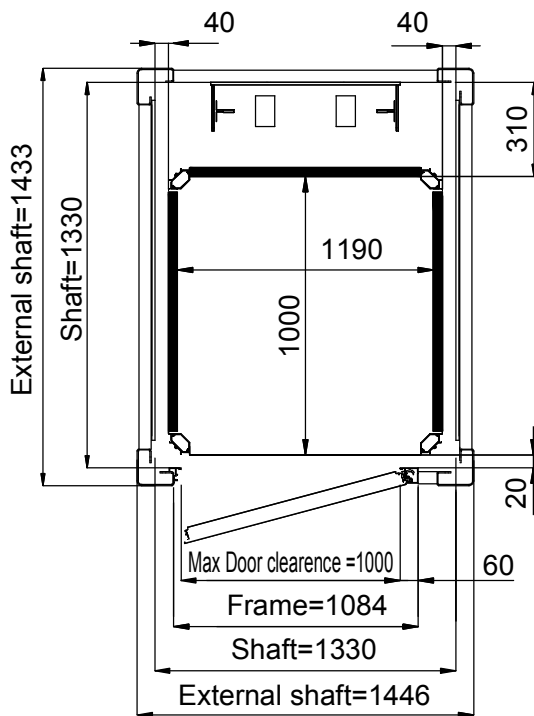
FRONTAL ACCESS PANEL DOOR

MASONRY SHAFT



FRONTAL ACCESS ALUMINIUM DOOR

SHAFT



ALL DIMENSIONS IN MM.

DATA	CODICE	Rev.
20-03-14	8623301	g

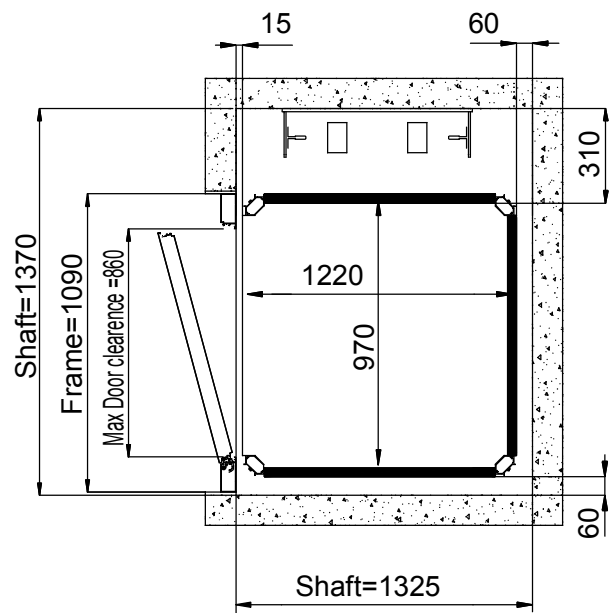
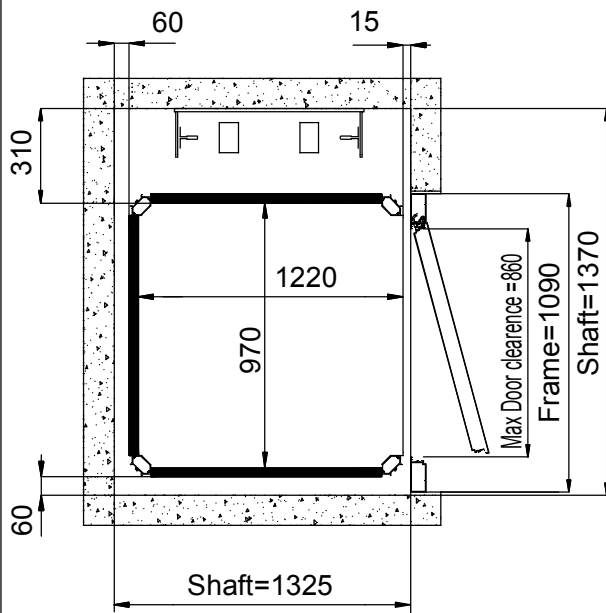
PLATFORM DIMENSION

1250x1000

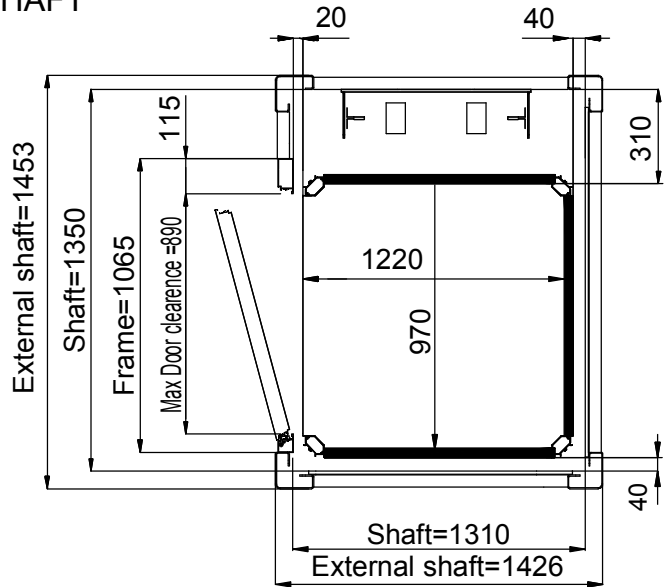
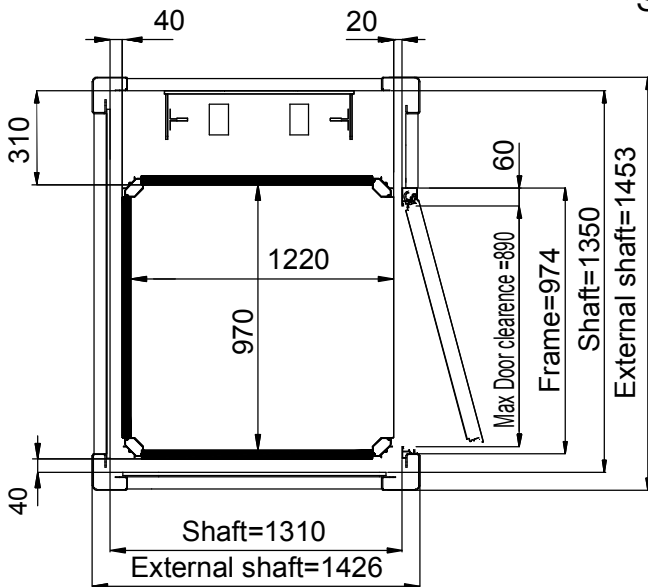
CLEAR

DIMENSIONS 1220x970

**SIDE ACCESS PANEL DOOR
MASONRY SHAFT**



**SIDE ACCESS ALUMINIUM DOOR
SHAFT**



ALL DIMENSIONS IN MM.

DATA	CODICE	Rev.
20-03-14	8623301	g

PLATFORM DIMENSION

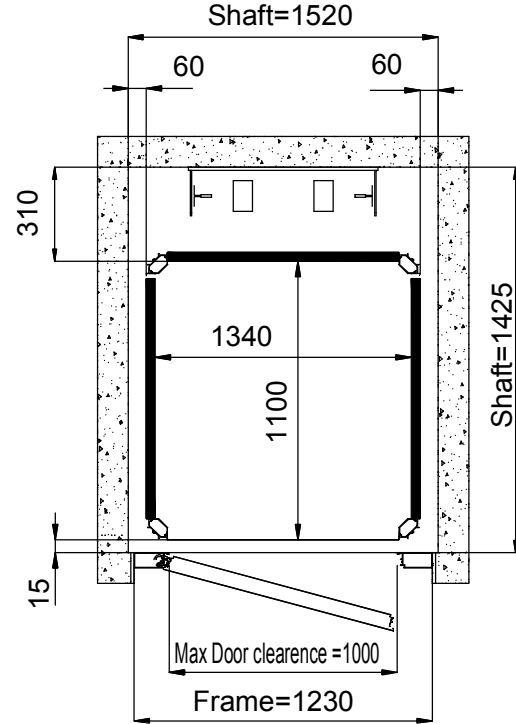
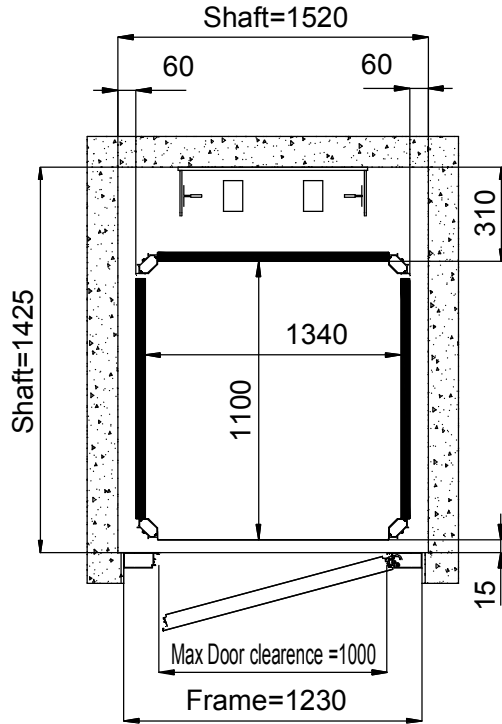
1400x1100

CLEAR

DIMENSIONS 1340x1100

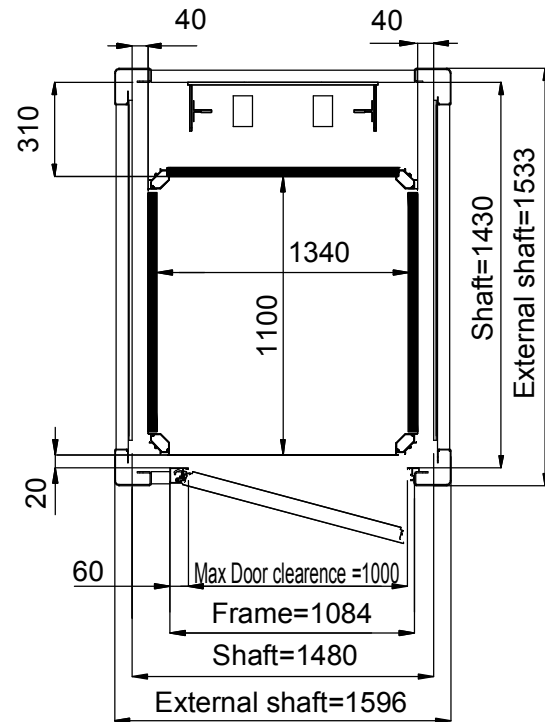
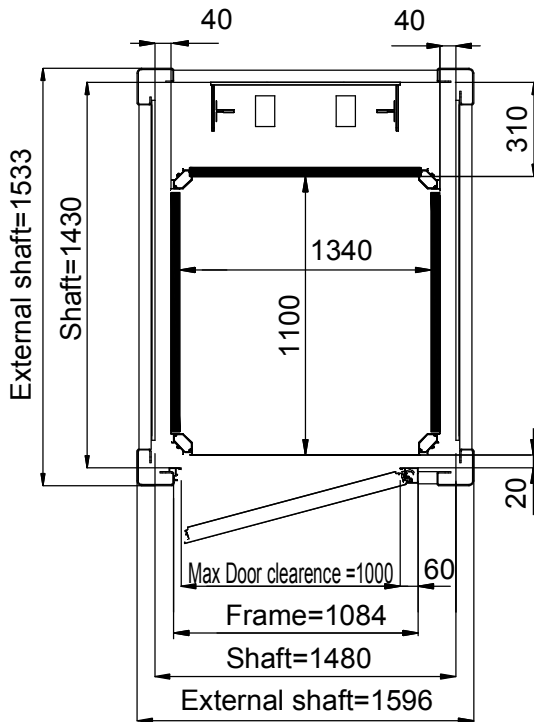
FRONTAL ACCESS PANEL DOOR

MASONRY SHAFT



FRONTAL ACCESS ALUMINIUM DOOR

SHAFT

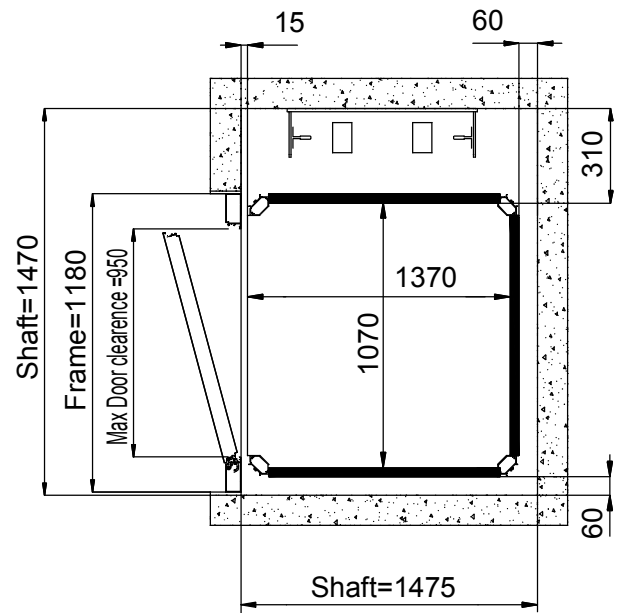
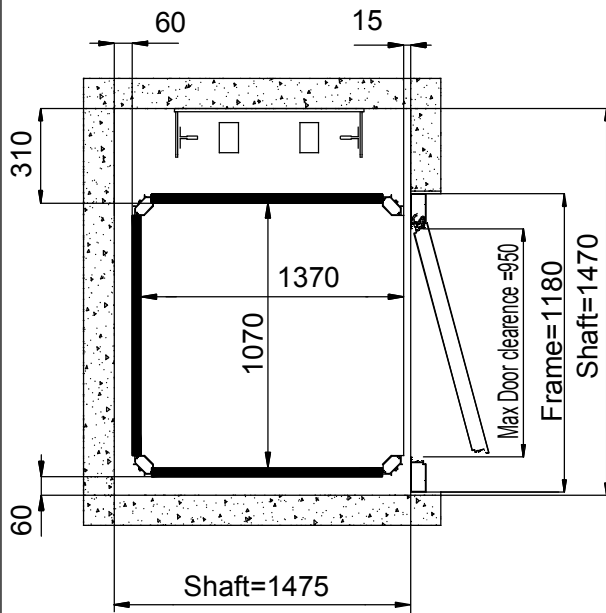


ALL DIMENSIONS IN MM.

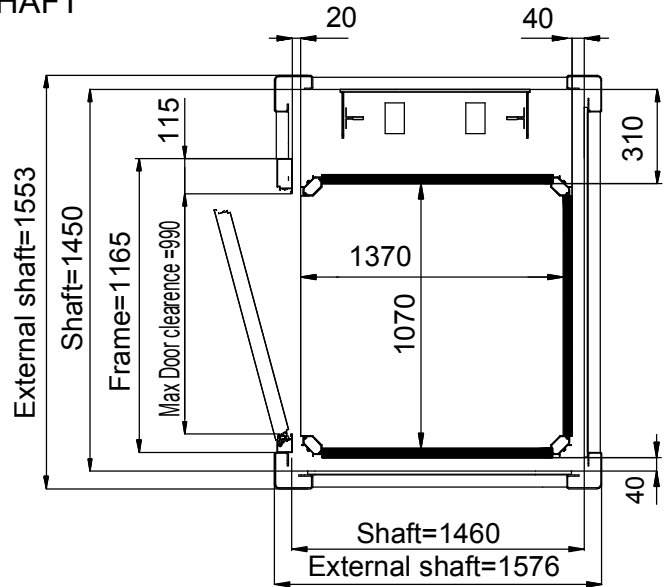
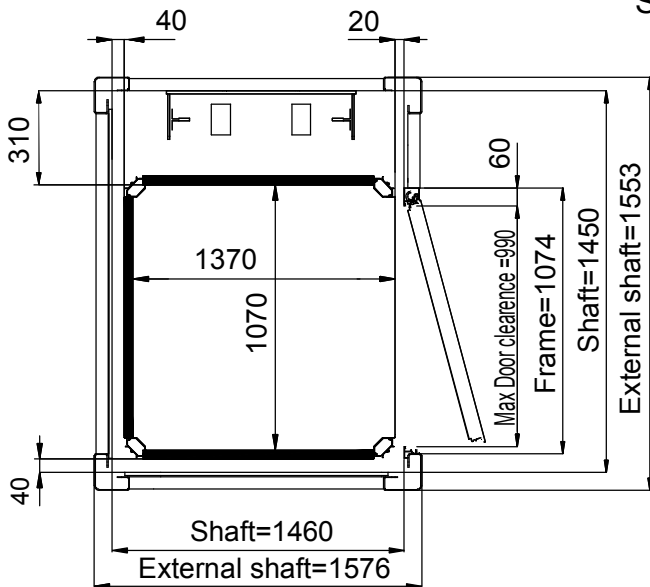
DATA	CODICE	Rev.
20-03-14	8623301	g

PLATFORM DIMENSION
1400x1100
CLEAR
DIMENSIONS 1370x1070

SIDE ACCESS PANEL DOOR
MASONRY SHAFT



SIDE ACCESS ALUMINIUM DOOR
SHAFT



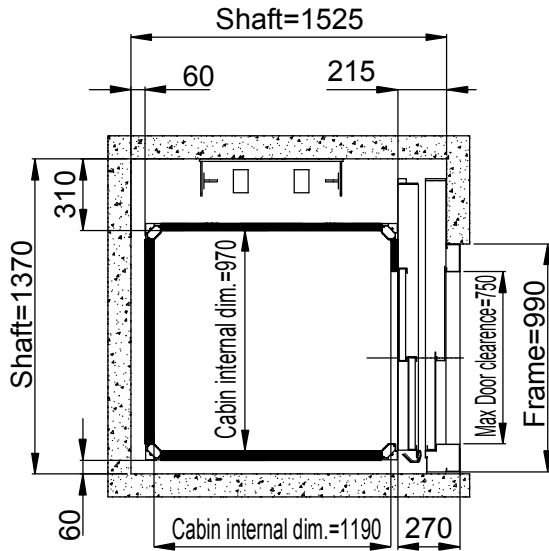
ALL DIMENSIONS IN MM.

PLATFORM DIMENSION
1250x1000

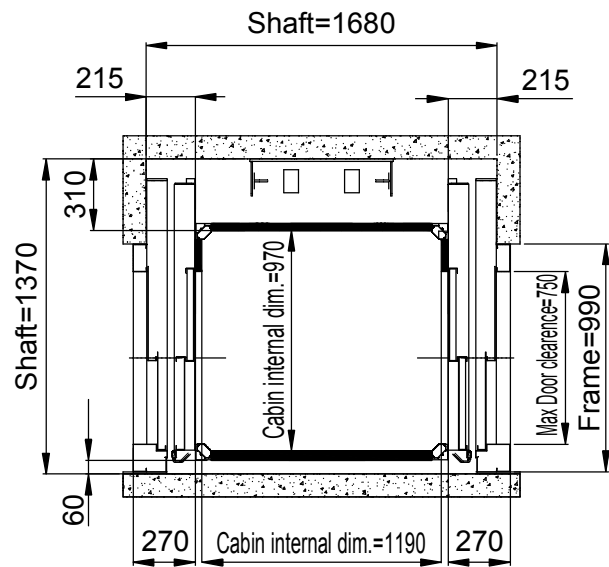
CLEAR DIMENSIONS 1190x970

MASONRY SHAFT

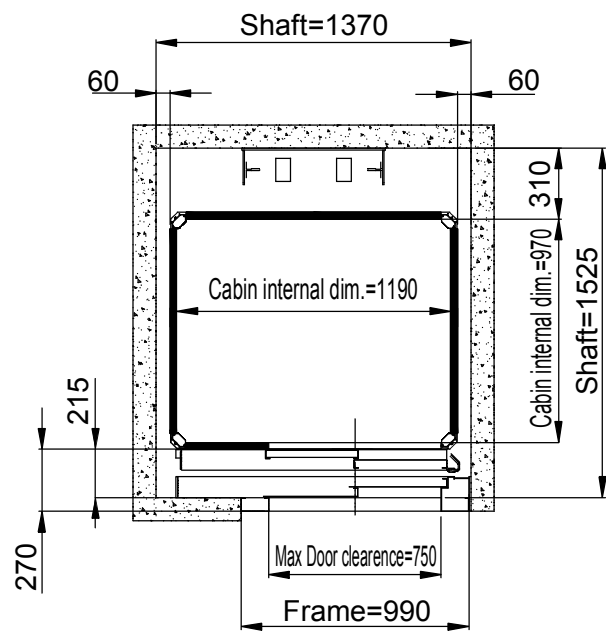
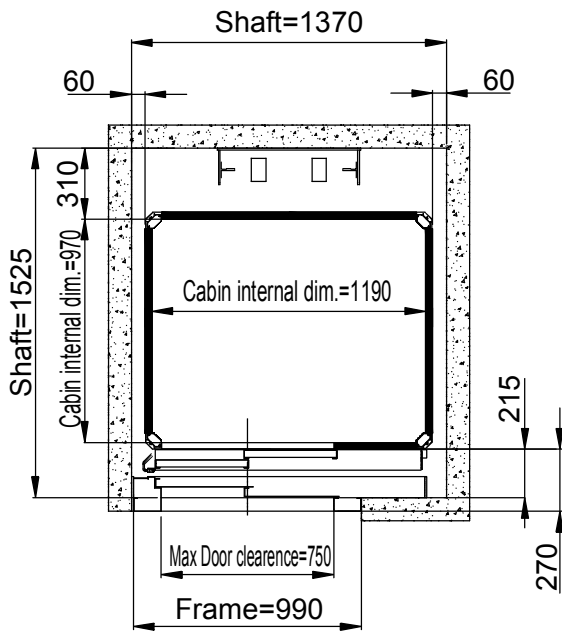
SIDE ACCESS



THROUGH CAR ENTRY



ACCESS OPPOSITE TO RAILS WITH LEFT OR RIGHT DOOR



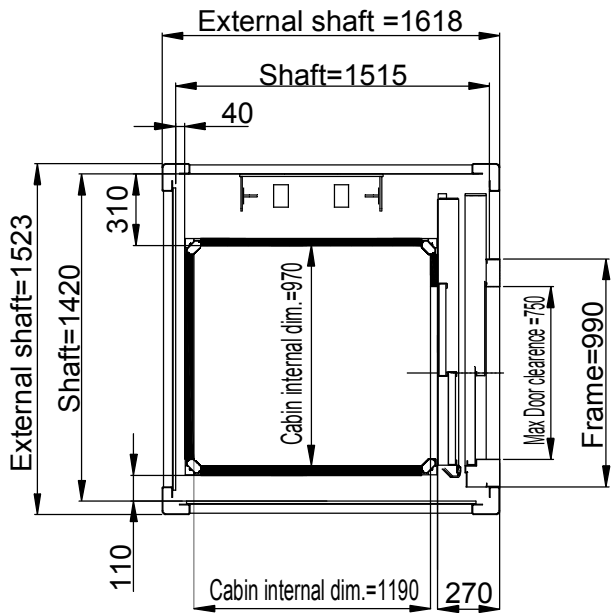
ALL DIMENSIONS IN MM.

PLATFORM DIMENSION
1250x1000

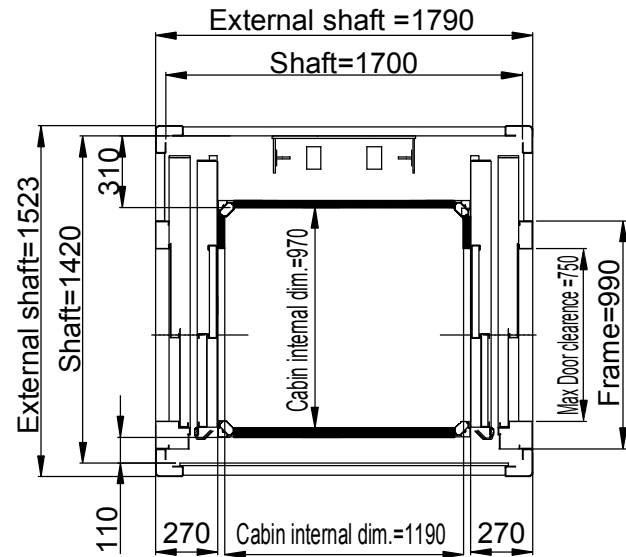
CLEAR DIMENSIONS 1190x970

SHAFT

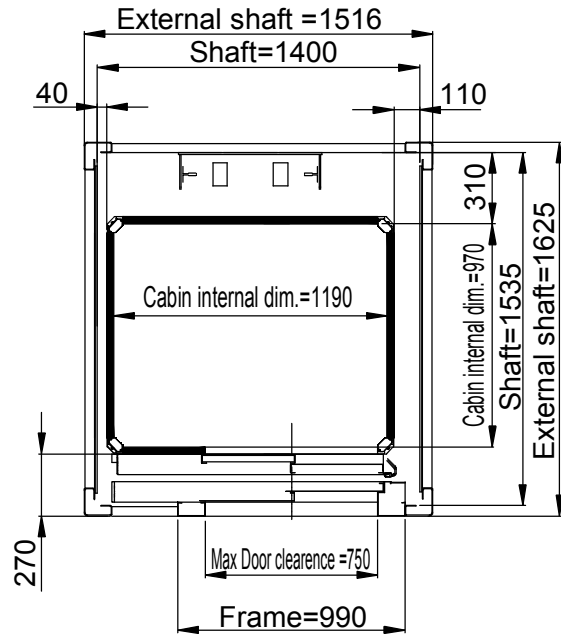
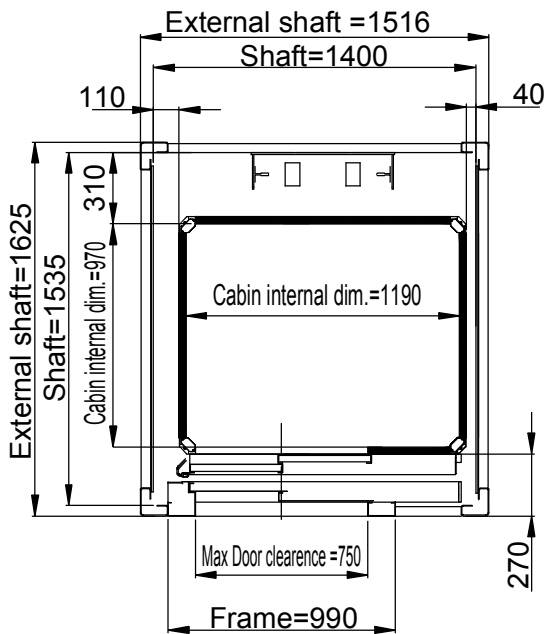
SIDE ACCESS



THROUGH CAR ENTRY



ACCESS OPPOSITE TO RAILS WITH LEFT OR RIGHT DOOR



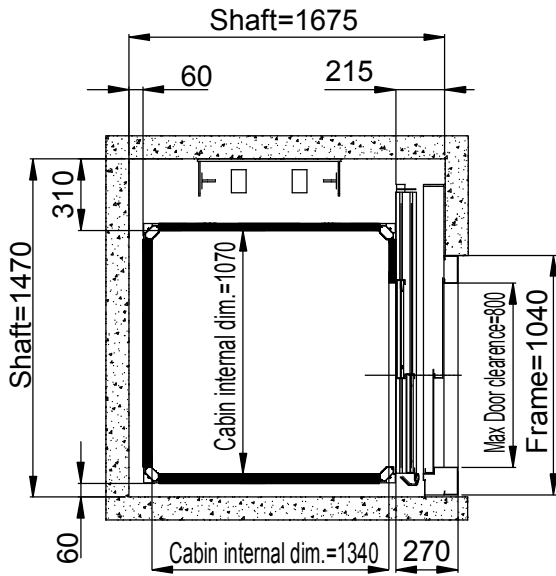
ALL DIMENSIONS IN MM.

PLATFORM DIMENSION
1400x1100

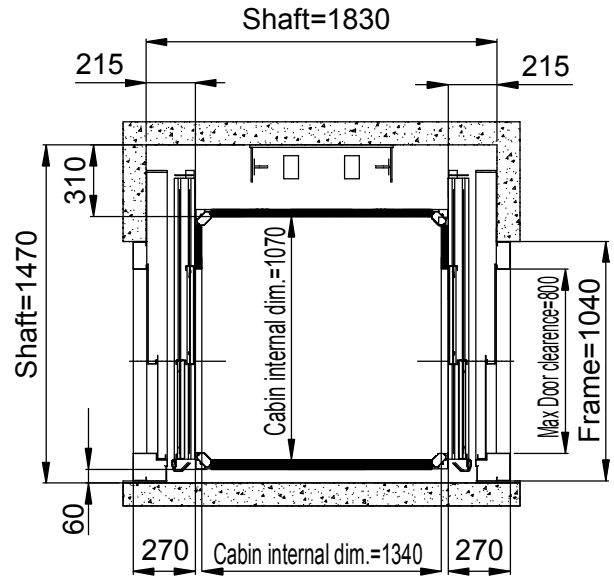
CLEAR DIMENSIONS 1340x1070

MASONRY SHAFT

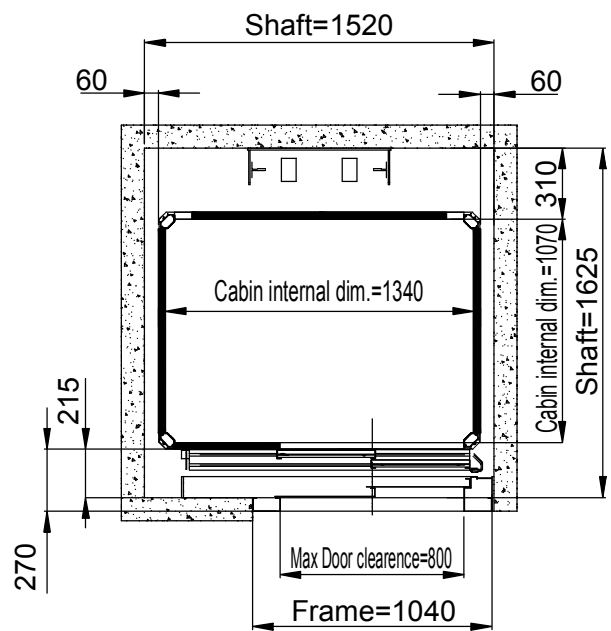
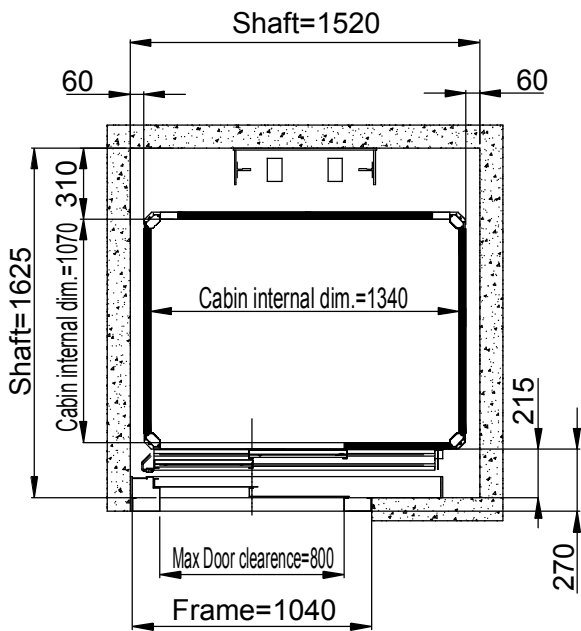
SIDE ACCESS



THROUGH CAR ENTRY



ACCESS OPPOSITE TO RAILS WITH LEFT OR RIGHT DOOR



ALL DIMENSIONS IN MM.

PLATFORM DIMENSION

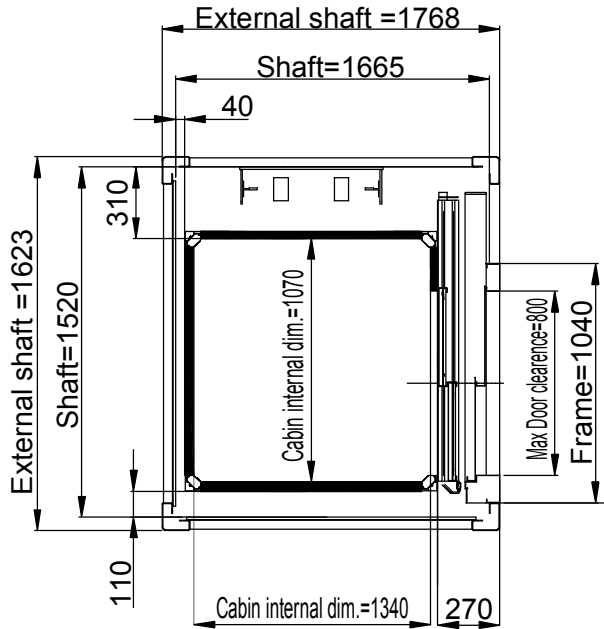
1400x1100

CLEAR

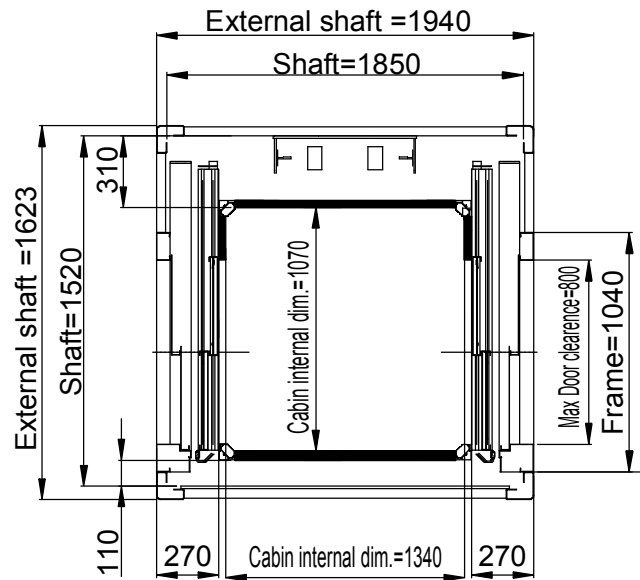
DIMENSIONS 1340x1070

SHAFT

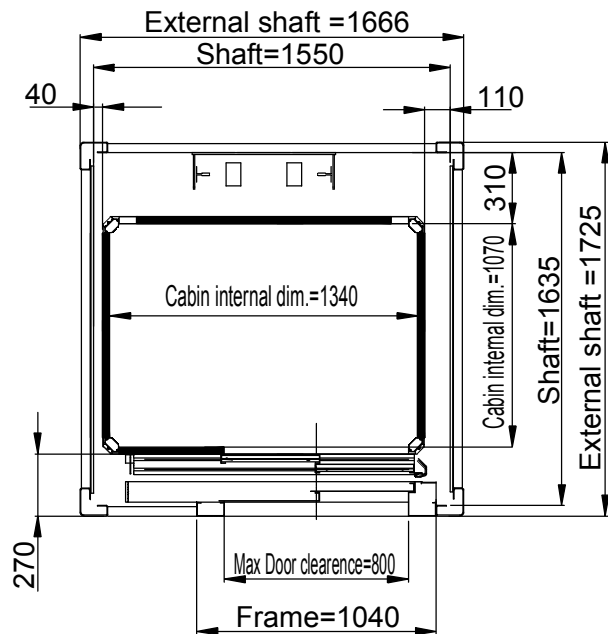
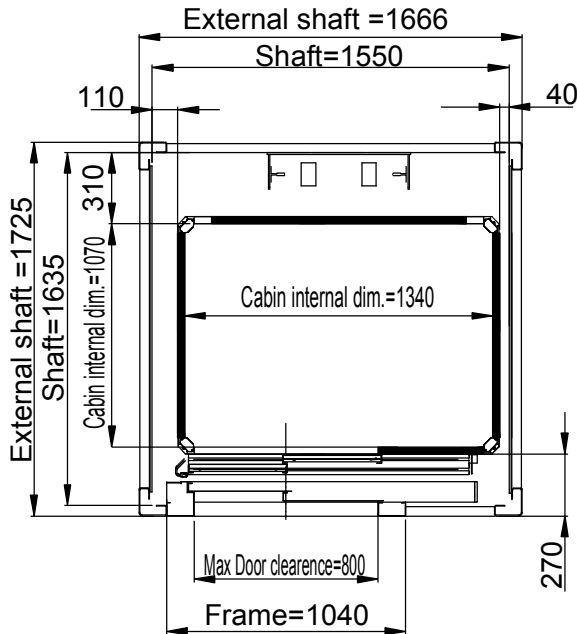
SIDE ACCESS



THROUGH CAR ENTRY



ACCESS OPPOSITE TO RAILS WITH LEFT OR RIGHT DOOR



ALL DIMENSIONS IN MM.

DATA	CODICE	Rev.
20-03-14	8623301	g

PLATFORM DIMENSION

1300 x1030

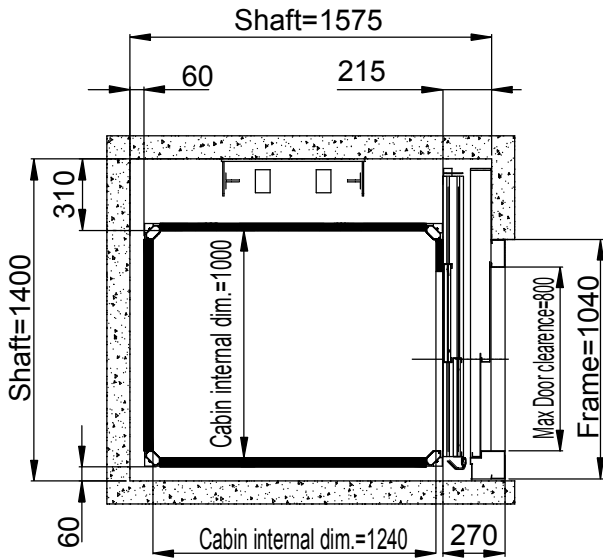
TELESCOPIC DOOR 800 mm

CLEAR

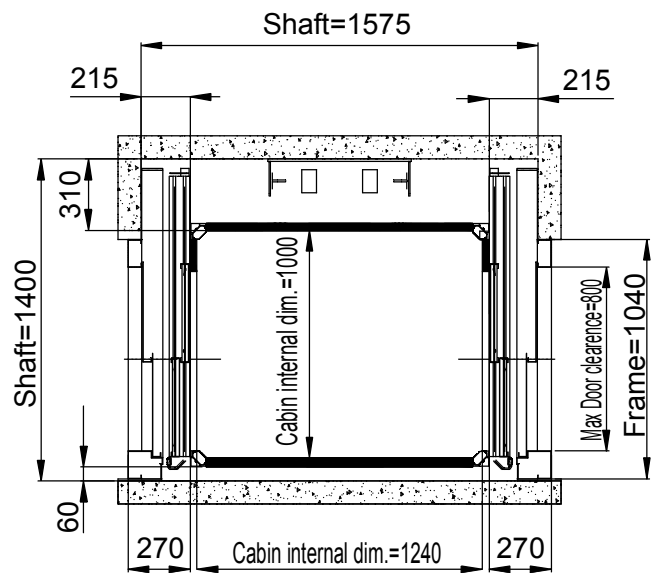
DIMENSIONS 1240x1000

MASONRY SHAFT

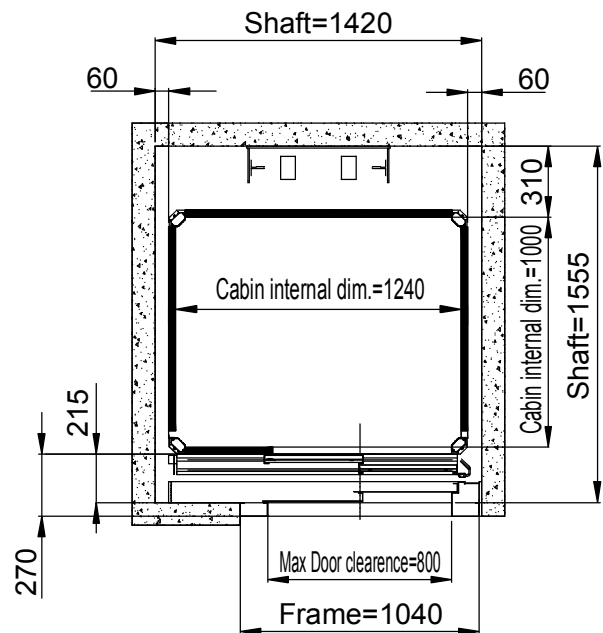
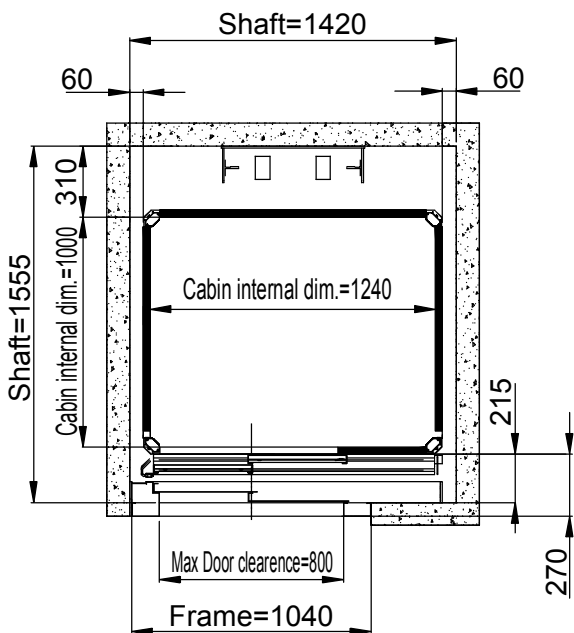
SIDE ACCESS



THROUGH CAR ENTRY



ACCESS OPPOSITE TO RAILS WITH LEFT OR RIGHT DOOR



ALL DIMENSIONS IN MM.

DATA	CODICE	
20-03-14	8623301	g

PLATFORM DIMENSION

1300 x1030

TELESCOPIC DOOR 800 mm

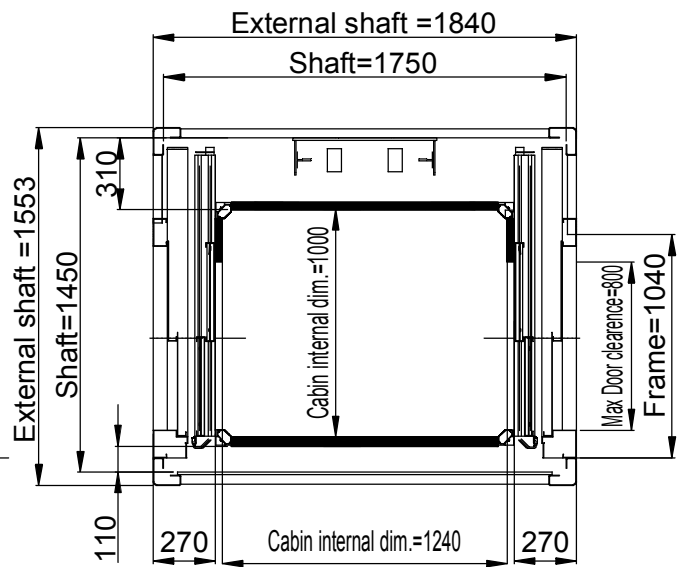
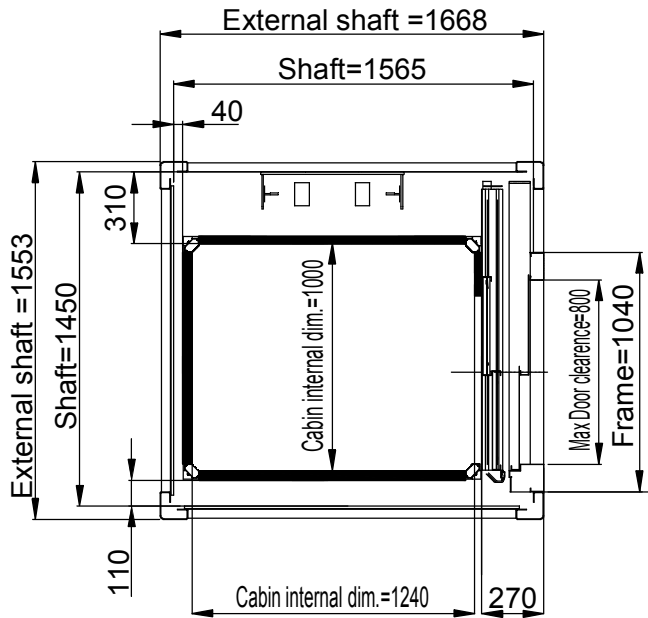
CLEAR

DIMENSIONS 1240x1000

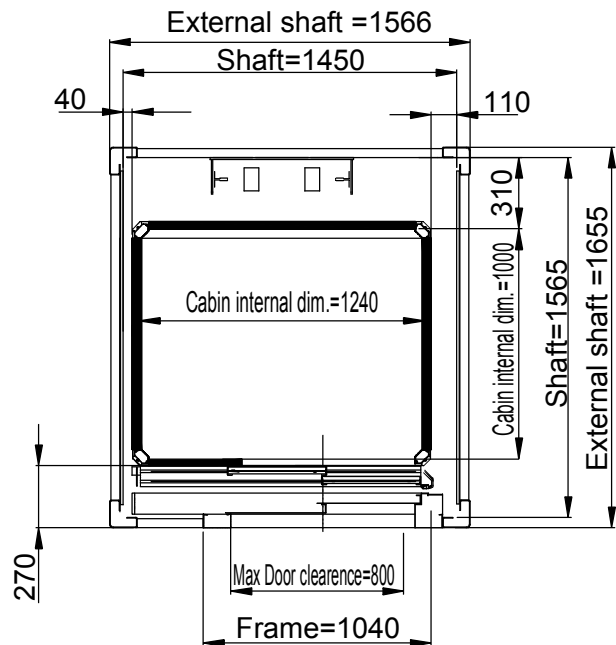
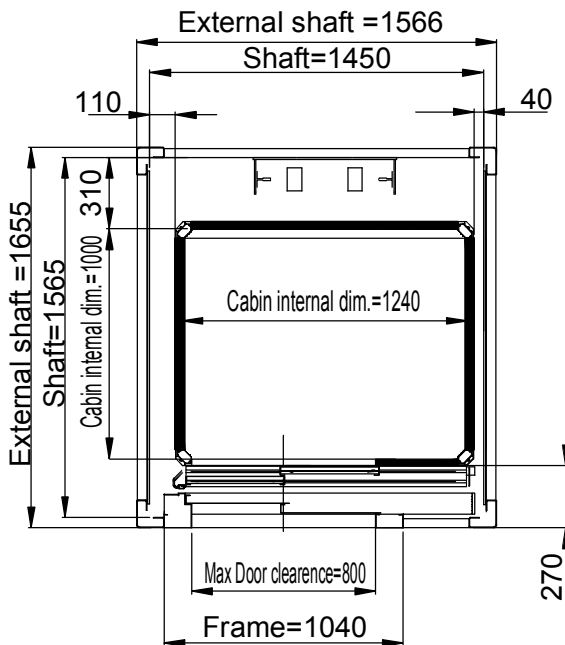
SHAFT

SIDE ACCESS

THROUGH CAR ENTRY



ACCESS OPPOSITE TO RAILS WITH LEFT OR RIGHT DOOR



ALL DIMENSIONS IN MM.

PLATFORM DIMENSION

1460x1170

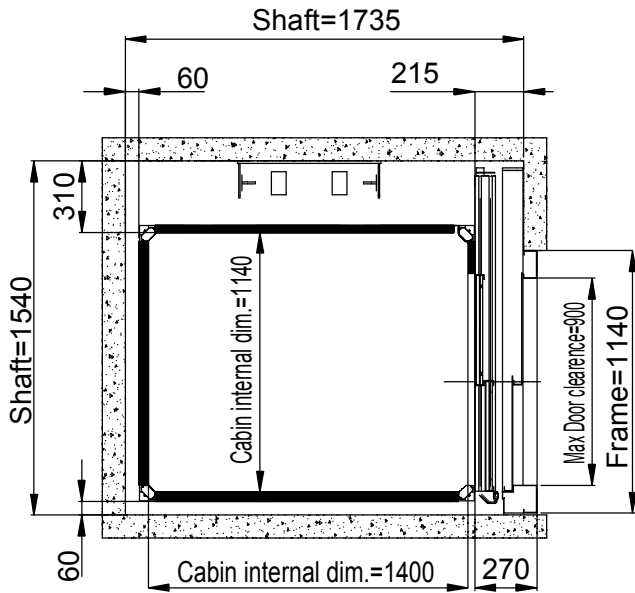
TELESCOPIC DOOR 900 mm

CLEAR

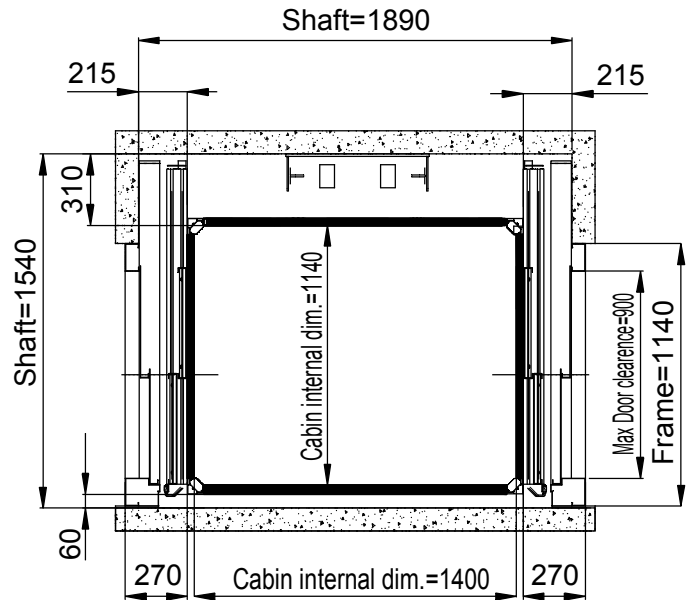
MASONRY SHAFT

DIMENSIONS 1400x1140

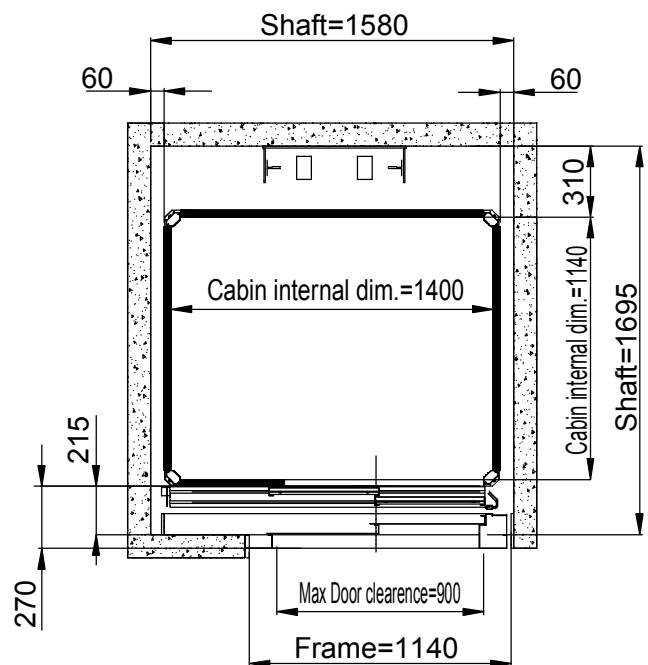
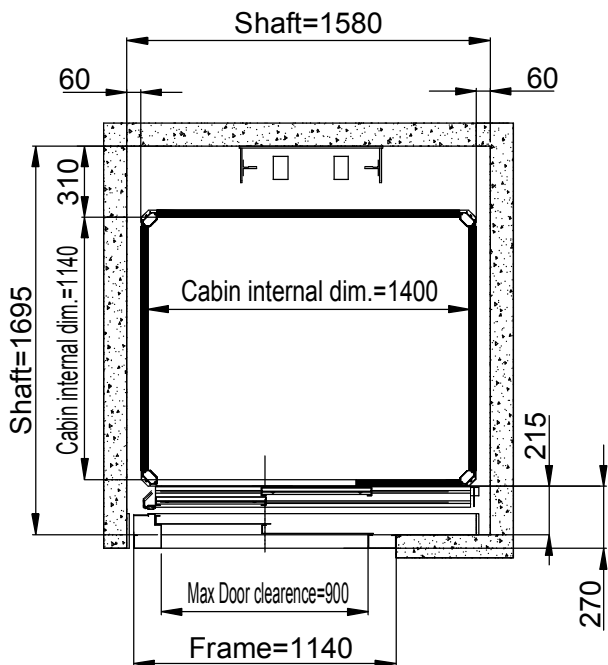
SIDE ACCESS



THROUGH CAR ENTRY



ACCESS OPPOSITE TO RAILS WITH LEFT OR RIGHT DOOR



ALL DIMENSIONS IN MM.

PLATFORM DIMENSION

1460x1170

TELESCOPIC DOOR 900 mm

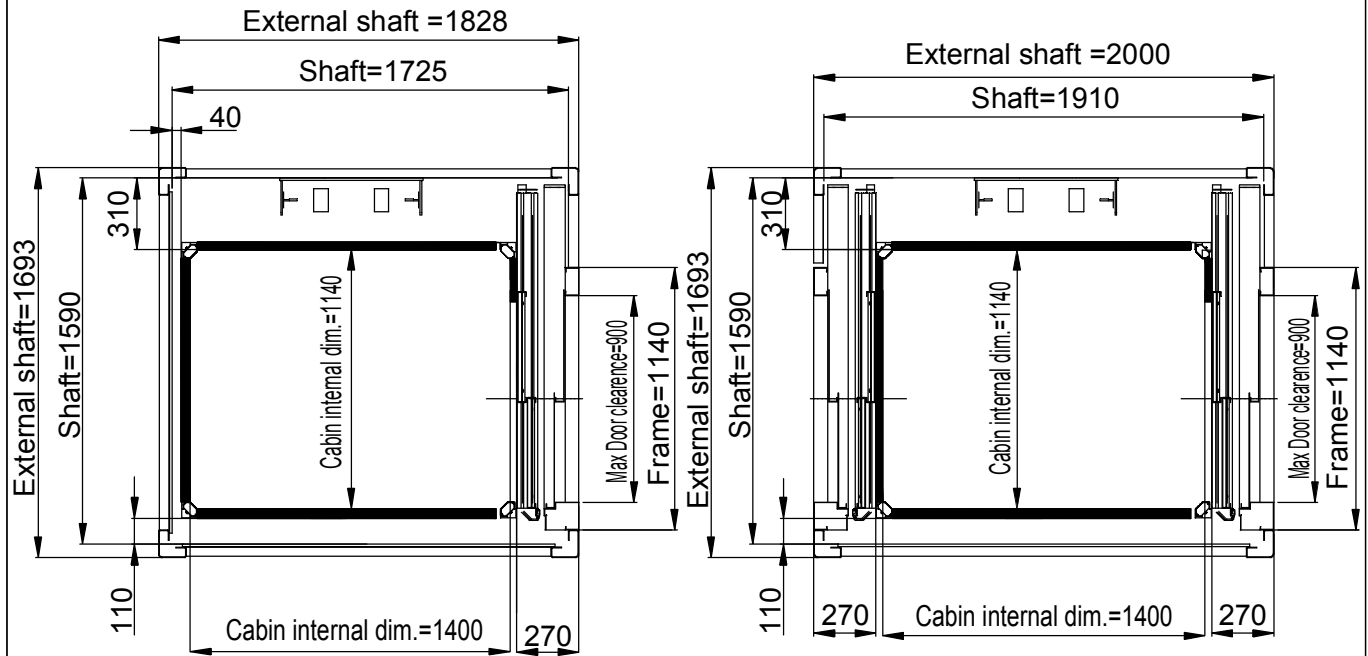
CLEAR

DIMENSIONS 1400x1140

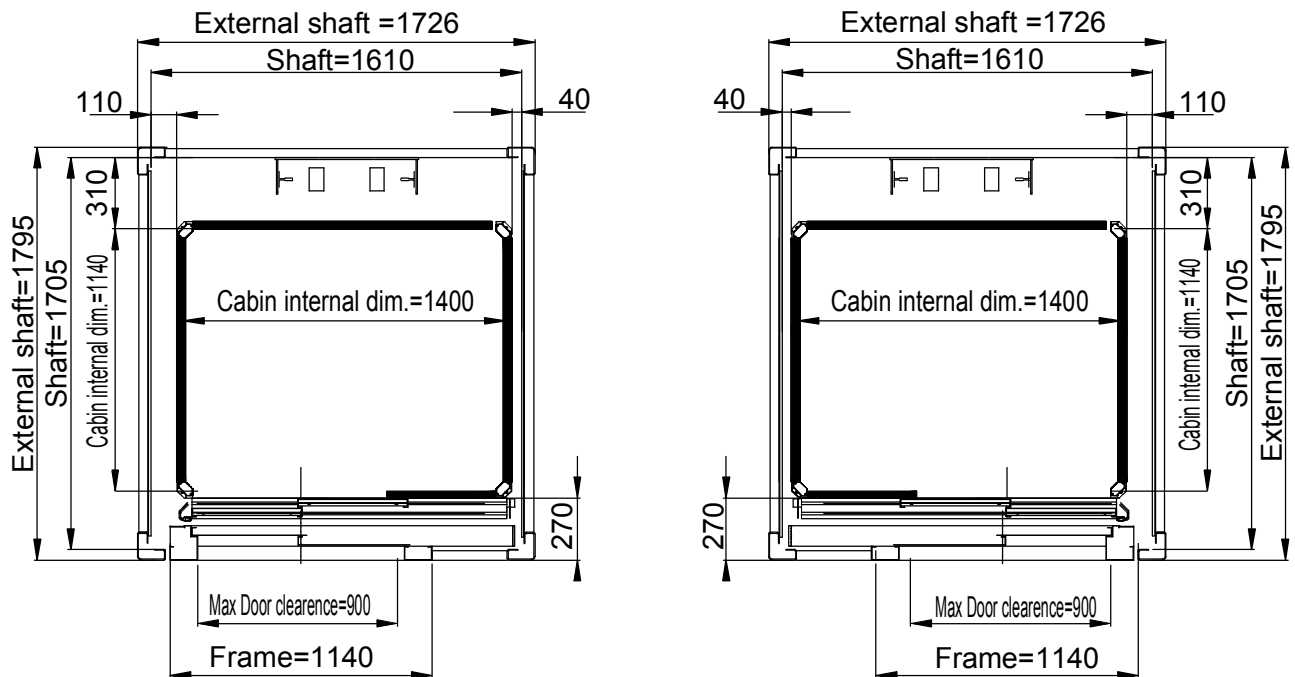
SHAFT

SIDE ACCESS

THROUGH CAR ENTRY

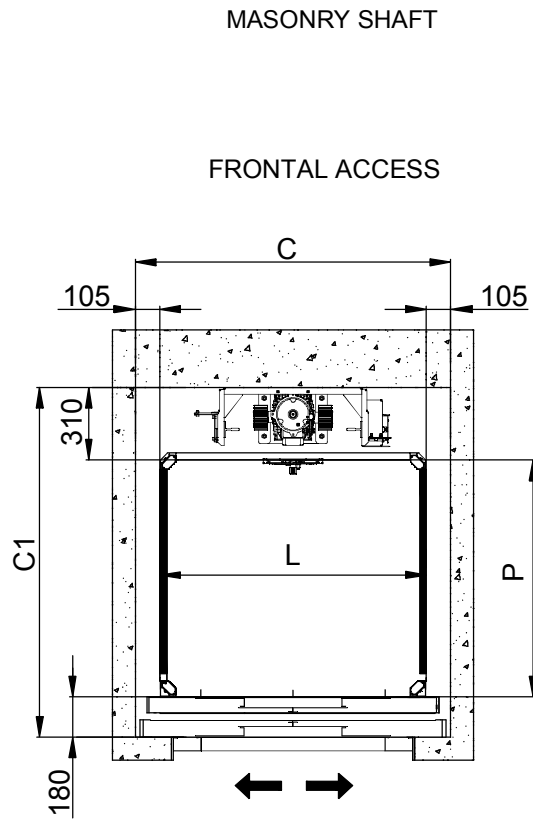


ACCESS OPPOSITE TO RAILS WITH LEFT OR RIGHT DOOR



ALL DIMENSIONS IN MM.

Vertical platform lift E07-N



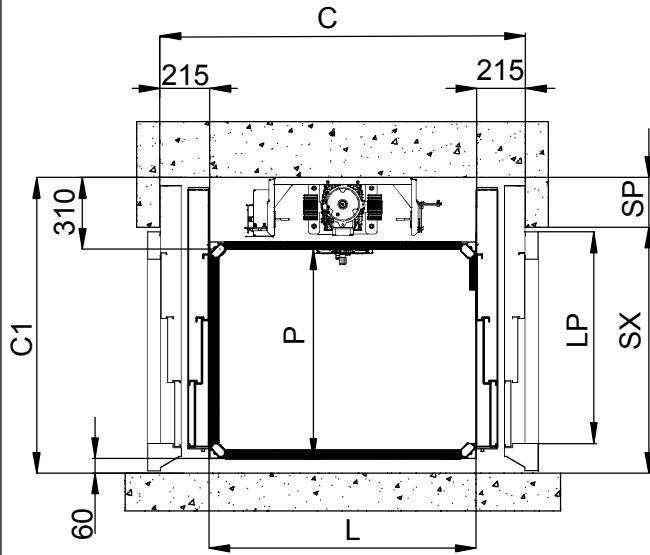
	LP
	800
L	1160
P	$900 \leq X \leq 1250$
C	1370
C1	$1490 \leq X \leq 1590$

ALL DIMENSIONS IN MM.

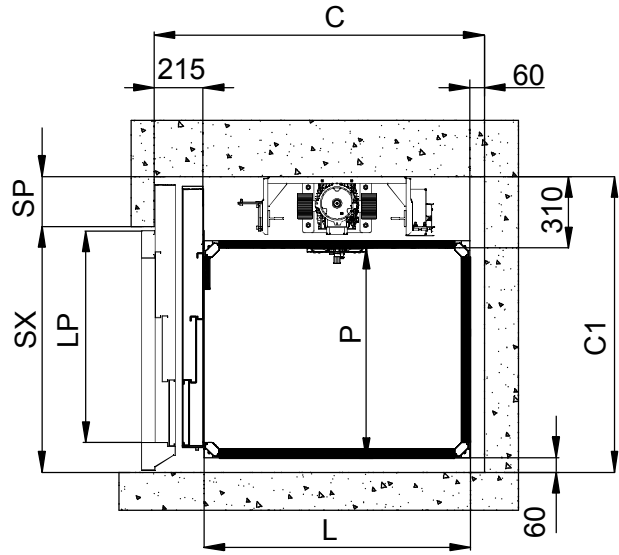
Vertical platform lift E07-N

MASONRY SHAFT

THROUGH CAR ENTRY



SIDE ACCESS



	LP			
	700	750	800	900
L	$900 \leq X \leq 1460$			
P	870	920	990	1120
C	$1330 \leq X \leq 1890$			
C1	1160	1200	1280	1400
SX	950	1000	1050	1150
SP	200	200	220	250

	LP			
	700	750	800	900
L	$1250 \leq X \leq 1460$			
P	780	830	920	1130
C	$1180 \leq X \leq 1740$			
C1	1150	1200	1290	1400
SX	950	965	1050	1150
SP	450	480	480	500

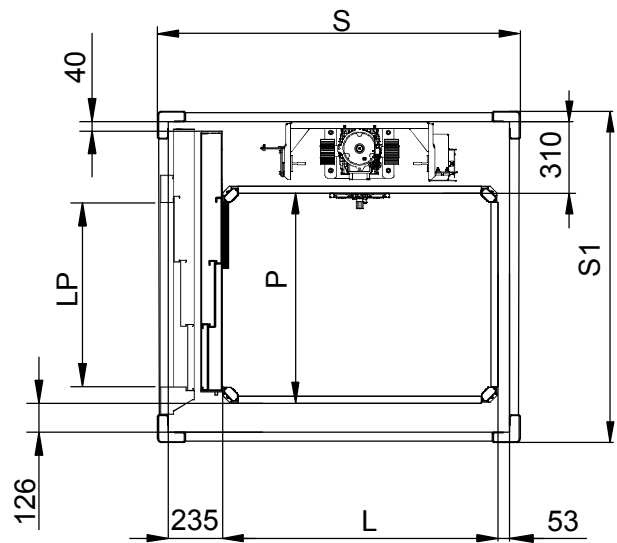
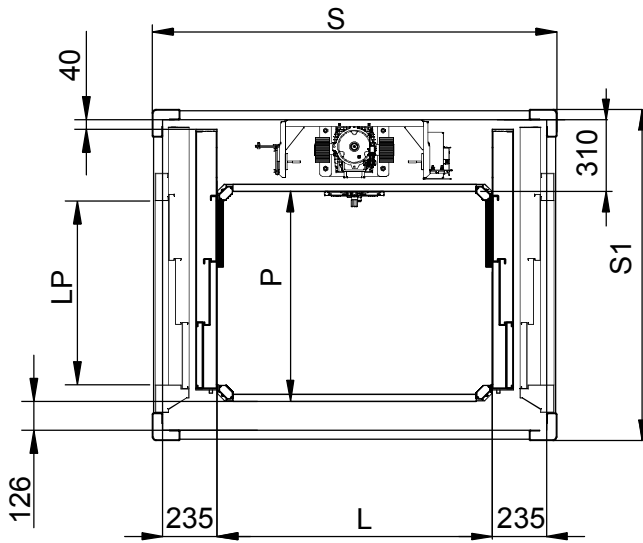
ALL DIMENSIONS IN MM.

Vertical platform lift E07-N

SHAFT

THROUGH CAR ENTRY

SIDE ACCESS

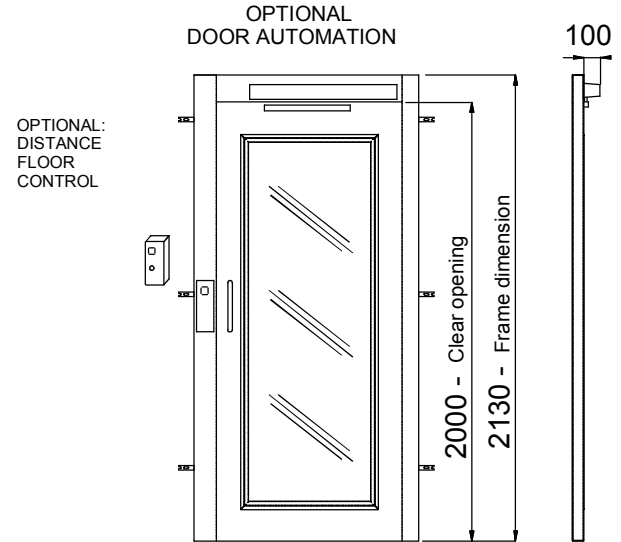
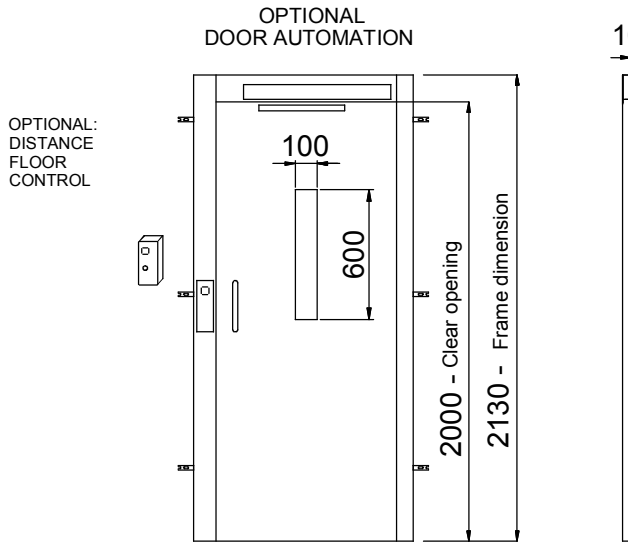


	LP			
	700	750	800	900
L	900 ≤ X ≤ 1460			
P	790	840	920	1140
S	1460 ≤ X ≤ 2920			
S1	1410	1460	1530	1660

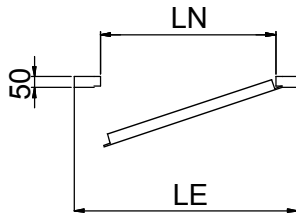
	LP			
	700	750	800	900
L	900 ≤ X ≤ 1460			
P	790	840	920	1140
S	1280 ≤ X ≤ 1840			
S1	1410	1460	1530	1660

ALL DIMENSIONS IN MM.

DOOR TYPE

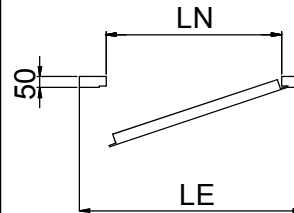


PANEL DOOR



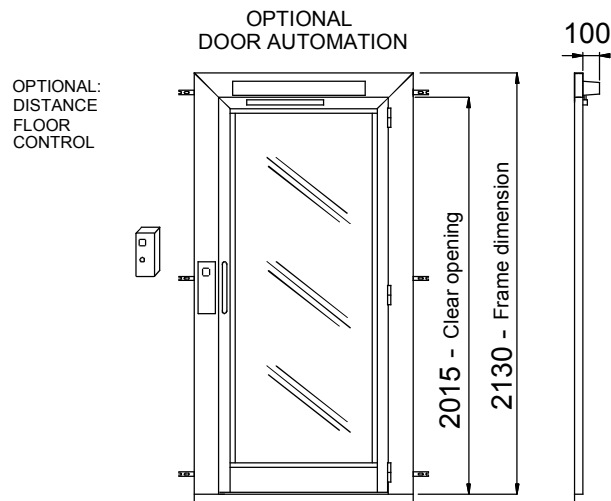
LN	LE
600	830
650	880
700	930
750	980
800	1030
860	1090
900	1130
950	1180
1000	1230

PANORAMIC PANEL DOOR



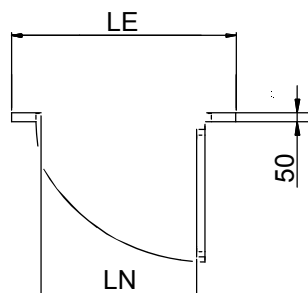
LN	LE
800	1030
860	1090
900	1130

LN = CLEAR OPENING

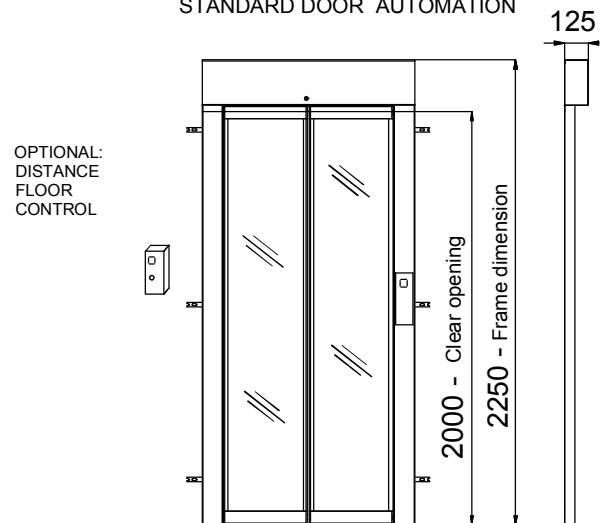


ALUMINUM PANORAMIC DOOR

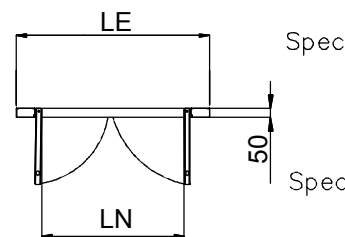
LN	LE
600	830
650	880
700	930
750	980
800	1030
860	1090
900	1130
950	1180
1000	1230



STANDARD DOOR AUTOMATION



PANORAMIC DOUBLE HINGED DOOR



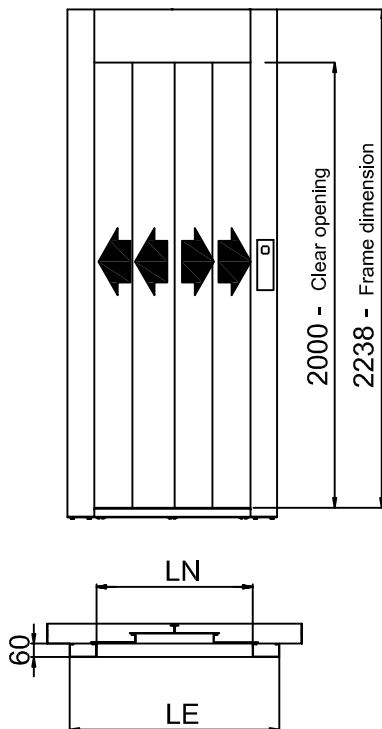
LN	LE
750	1030
800	1080
860	1130
900	1180
950	1230

DATA	CODICE	Rev.
20-03-14	8623301	g

Vertical platform lift E10

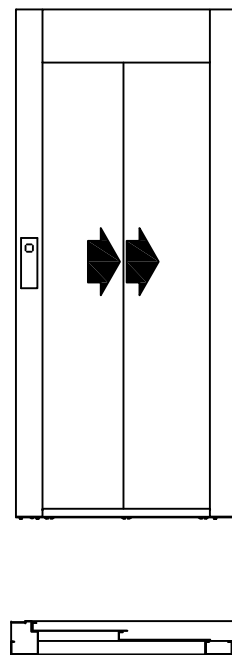
SLIDING DOOR TYPE

CENTRAL OPENING TELESCOPIC DOOR (C4)



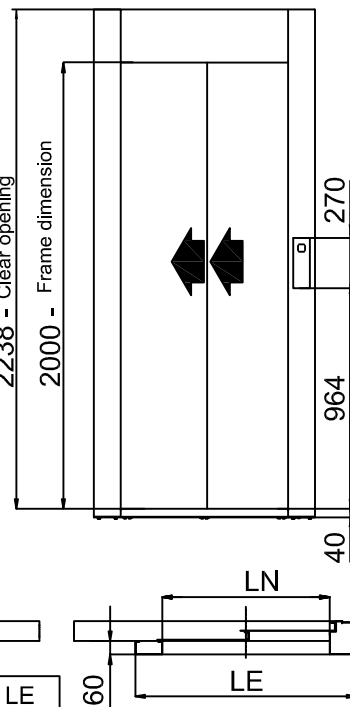
LN	LE
700	940
750	990
800	1040
900	1140

LEFT SIDE TWO-SPEED TELESCOPIC DOOR (T2)



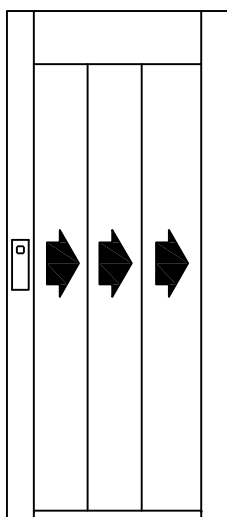
LN	LE
700	940
750	990
800	1040
900	1140

RIGHT SIDE TWO-SPEED TELESCOPIC DOOR (T2)



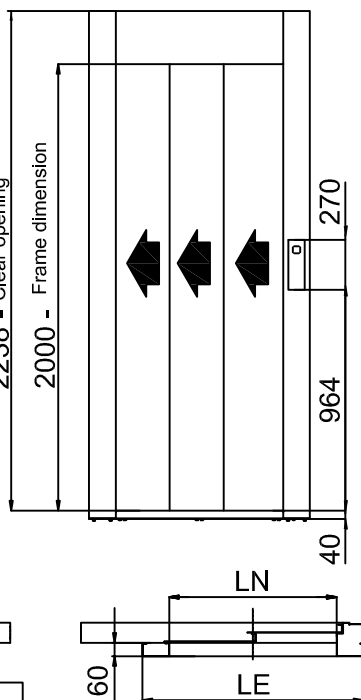
LN = CLEAR OPENING

LEFT SIDE TWO-SPEED TELESCOPIC DOOR (T3)



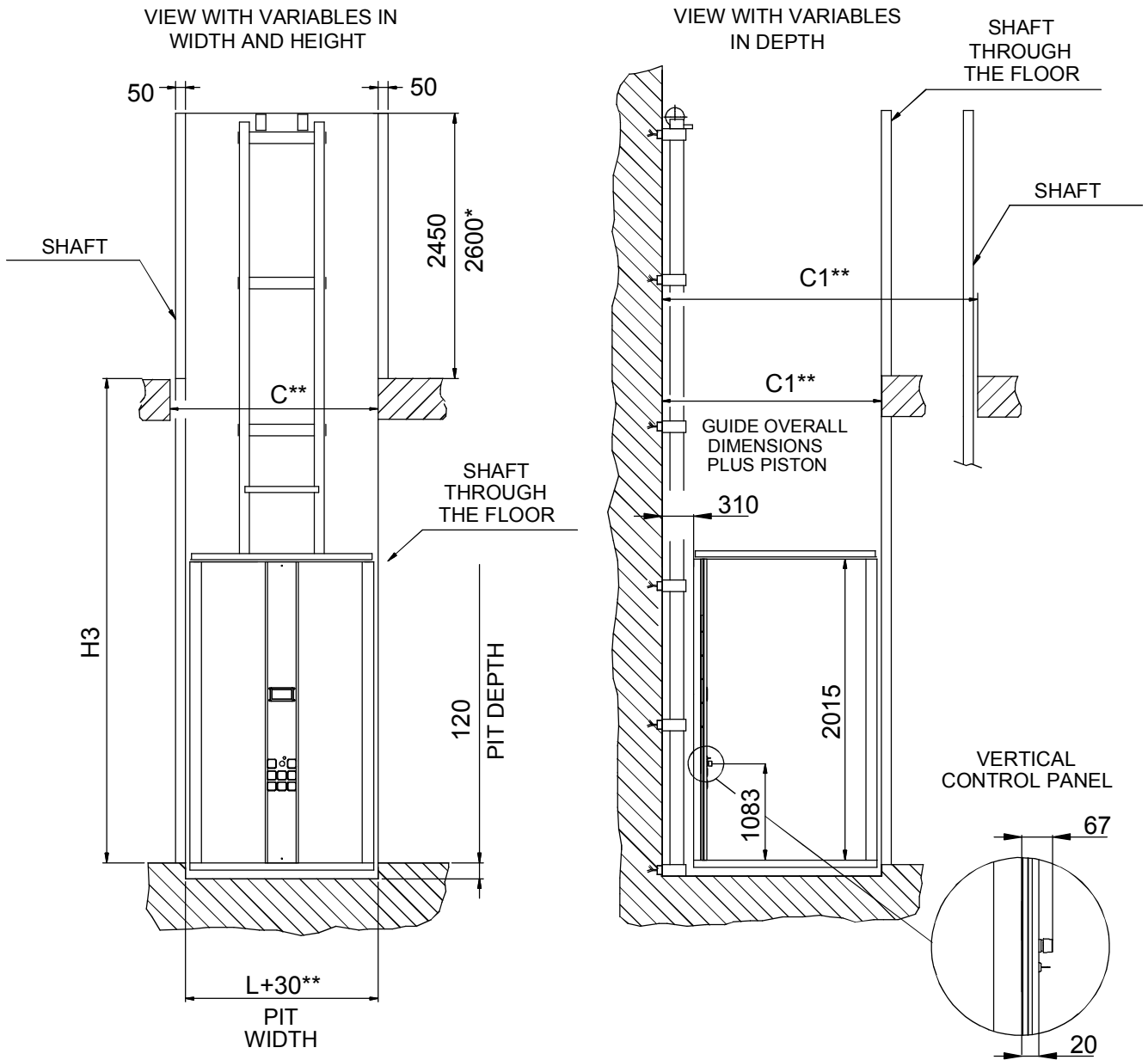
LN	LE
700	940
750	990
800	1040
900	1140

RIGHT SIDE TWO-SPEED TELESCOPIC DOOR (T3)



PANEL DOOR

**LIFT FRONT AND SIDE VIEW
(WITH GUARDS)**



** ADD 45 mm FOR EACH SIDE WITH ADDITIONAL CABIN WALL

STANDARD DIMENSIONS

C Shaft width	WITH SHAFTS THROUGH THE FLOOR OR MASONRY SHAFT	**	L+30
	WITH ONE SHAFT		L+90
	WITH TWO SHAFTS		L+150
C1 Shaft depth	WITH SHAFTS THROUGH THE FLOOR OR MASONRY SHAFT	**	P+325
	WITH SHAFTS		P+385

