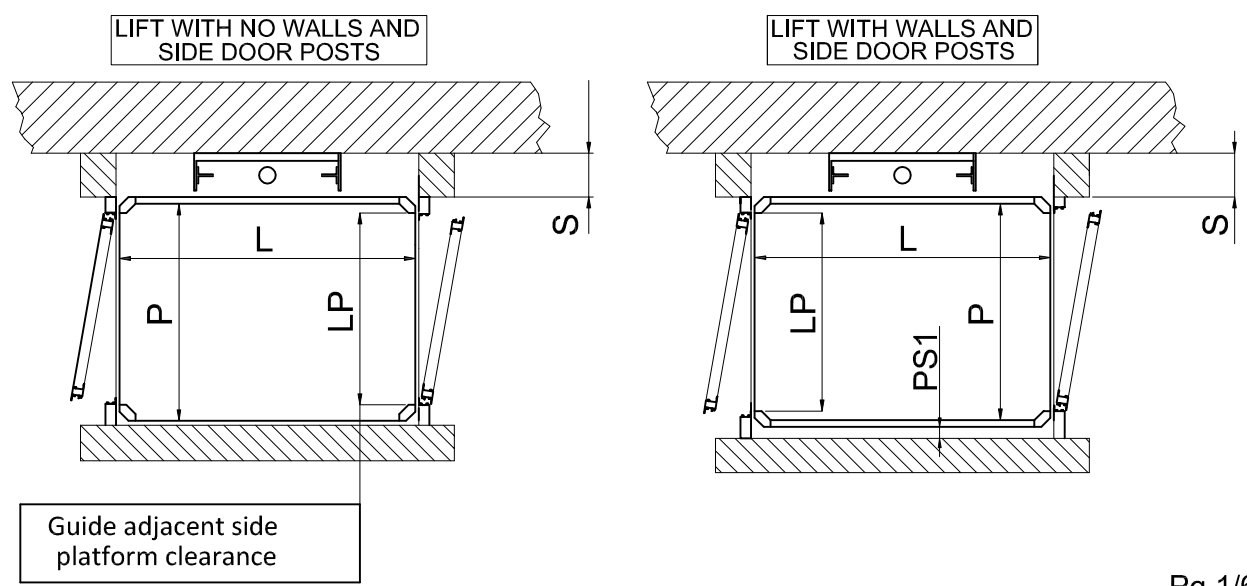
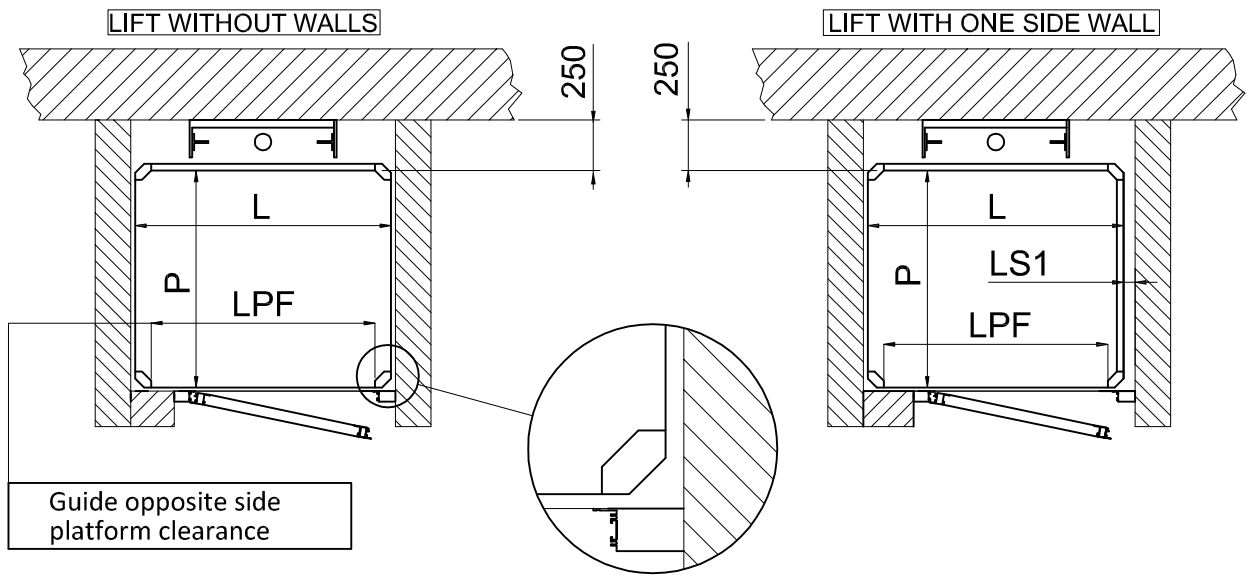


LIFT TOP VIEW
(MASONRY SHAFT)



DATA	CODICE	REV.
14-04-2014	8623201	d

STANDARD DIMENSIONS

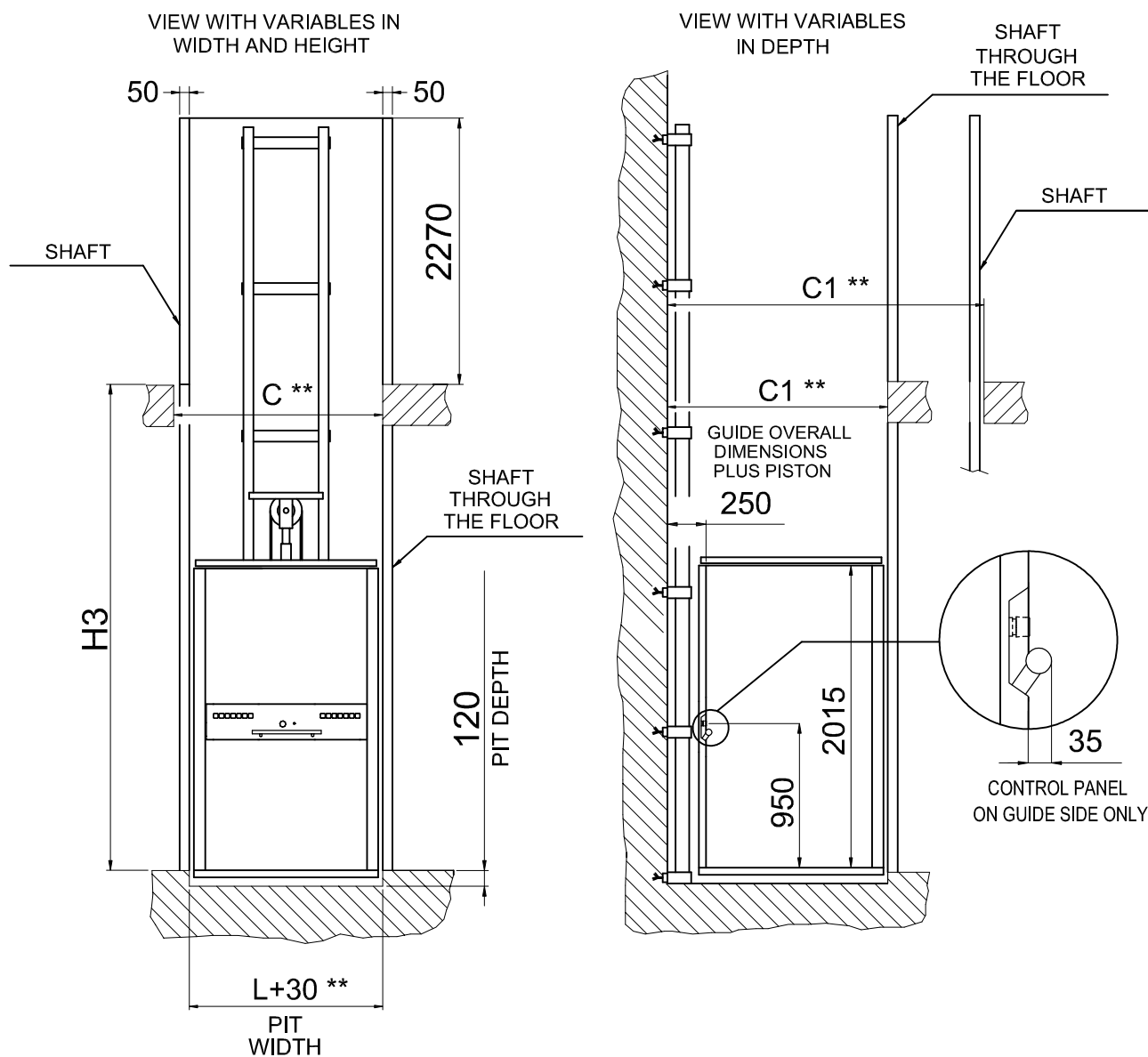
	L (Width)	P (depth)		L (Width)	P (depth)
spec.	1400	900	Working load 600 [daN]	2000	900
spec.	1400	1200		2000	1000
	1400	1300		2200	900
	1400	1400		2200	1100
	1600	900			
	1600	1000			
	1800	900			
	1800	1000			

LP	P-110(ON-BOARD CONTROL PANEL EXCLUDED)	S = 175 (ALUMINIUM DOOR)
LPF	L-140(ON-BOARD CONTROL PANEL EXCLUDED)	S = 165 (VENEERED DOOR WITH CONTROL PANEL ON GUIDE SIDE)
PS1=LS1	60	S = 195 (VENEERED DOOR WITH HINGES ON SIDE GUIDE)

PLATFORM SPECIAL DIMENSION

MAX. USEFUL AREA ≤ 2m²

LIFT FRONT AND SIDE VIEW
(WITH GUARDS)



** ADD 45 mm FOR EACH SIDE WITH ADDITIONAL CABIN WALL

$H3 = 8.5m$	DATA 14-04-2014	CODICE 8623201	REV. d
-------------	--------------------	-------------------	-----------

STANDARD DIMENSIONS

C Shaft width	WITH SHAFTS THROUGH THE FLOOR OR MASONRY SHAFT **	L+30
	WITH ONE SHAFT	L+90
	WITH TWO SHAFTS	L+150
C1 Shaft depth	WITH SHAFTS THROUGH THE FLOOR OR MASONRY SHAFT **	P+265
	WITH SHAFTS	P+325

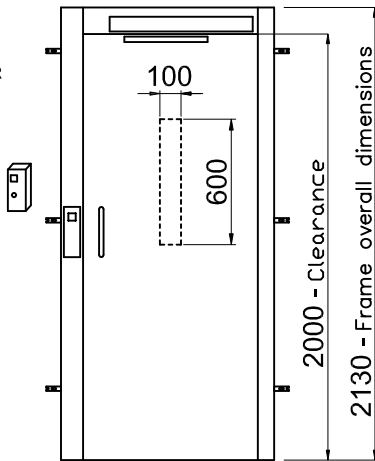
TECHNICAL CHARACTERISTICS

Working load	Power	Mains voltage	Motor power supply voltage	Auxiliary power supply voltage	Speed
500 [daN]	1.8 [KW]	230 [V-mon.]	230 [V]	24 [V-cc]	max 0,15m/sec

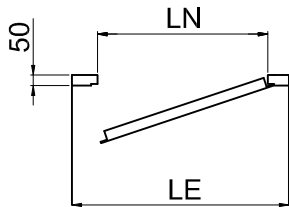
DOOR TYPES

OPTIONAL DOOR MOTORIZATION

OPTIONAL:
REMOTE FLOOR
CONTROL
PANEL



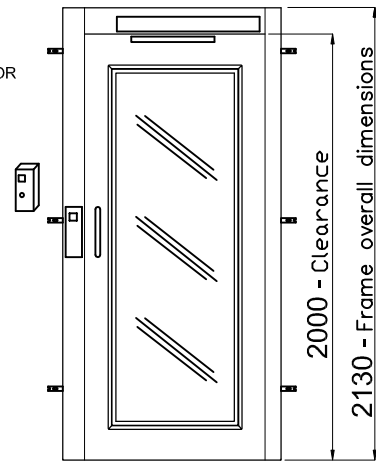
HOLLOW VENEERED DOOR



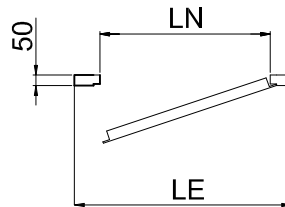
LN	LE
600	830
650	880
700	930
750	980
800	1030
860	1090
900	1130
950	1180
1000	1230

OPTIONAL DOOR MOTORIZATION

OPTIONAL:
REMOTE FLOOR
CONTROL
PANEL



BLIND HOLLOW VENEERED DOOR

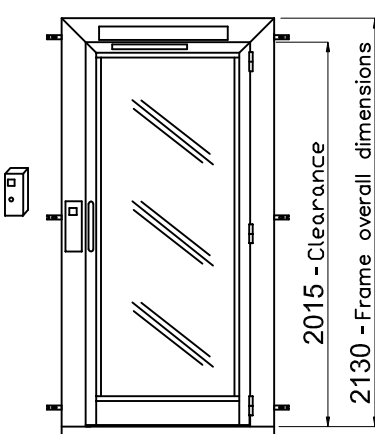


LN	LE
800	1030
860	1090
900	1130

LN = CLEARANCE

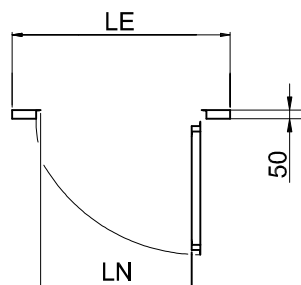
OPTIONAL DOOR MOTORIZATION

OPTIONAL:
REMOTE FLOOR
CONTROL
PANEL

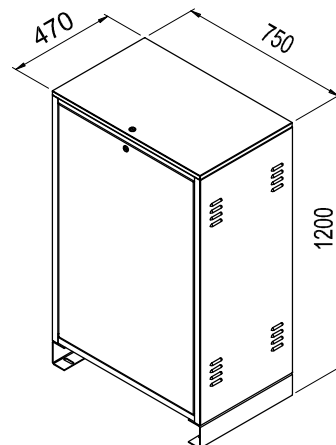


PANORAMIC ALUMINIUM DOOR

LN	LE
600	830
650	880
700	930
750	980
800	1030
860	1090
900	1130
950	1180
1000	1230

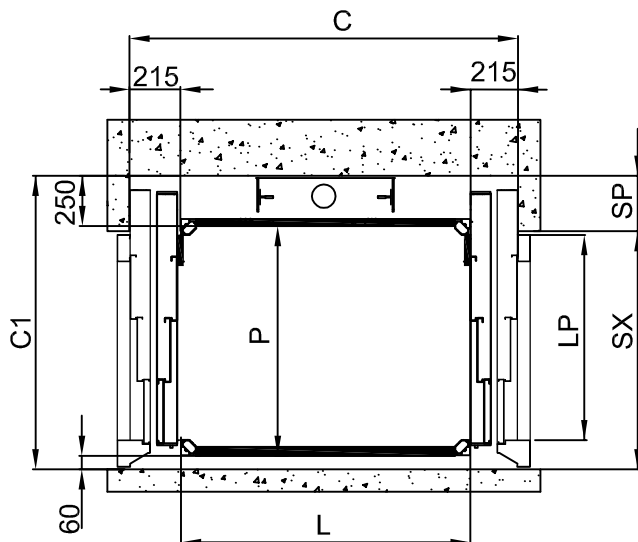


CONTROL BOX DIMENSION

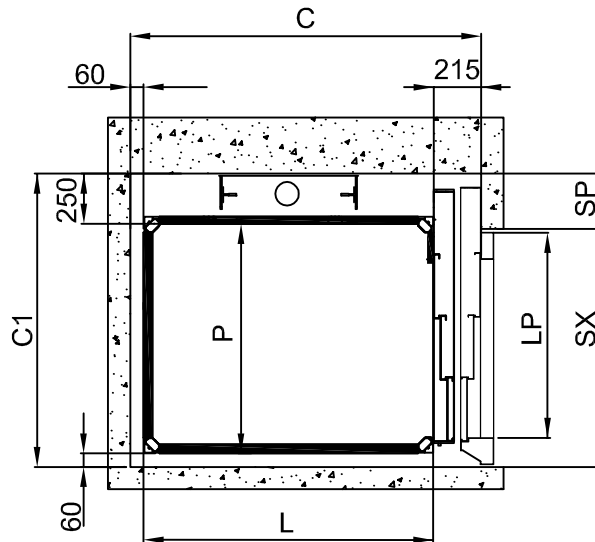


SLIDING DOOR
MASONRY SHAFT

THROUGH CAR ENTRY



SIDE ACCESS



	LP			
	700	750	800	900
L	1400 ≤ X ≤ 2200			
P min	845	890	965	1090
C	1830 ≤ X ≤ 2630			
C1	1155	1200	1275	1400
SX	950	1000	1050	1150
SP	200	200	220	250

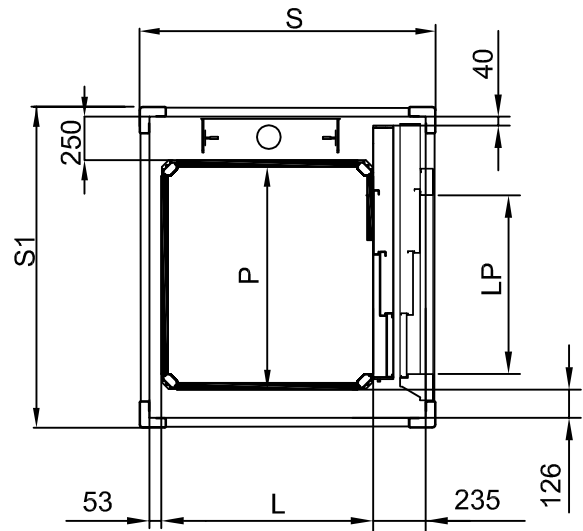
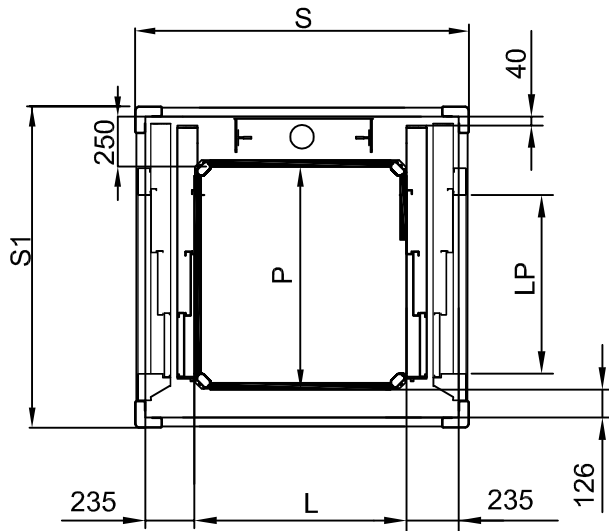
	LP			
	700	750	800	900
L	1400 ≤ X ≤ 2200			
P min	845	890	965	1090
C	1675 ≤ X ≤ 2475			
C1	1155	1200	1275	1400
SX	950	1000	1050	1150
SP	200	200	220	250

ALL DIMENSIONS IN MM.

SLIDING DOOR
SHAFT

THROUGH CAR ENTRY

SIDE ACCESS



	LP			
	700	750	800	900
L	$1400 \leq X \leq 2200$			
P	850	900	970	1100
S	$1870 \leq X \leq 2670$			
S1	1315	1365	1440	1565

	LP			
	700	750	800	900
L	$1400 \leq X \leq 2200$			
P	850	900	970	1100
S	$1690 \leq X \leq 2490$			
S1	1315	1365	1440	1565

ALL DIMENSIONS IN MM.

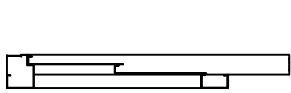
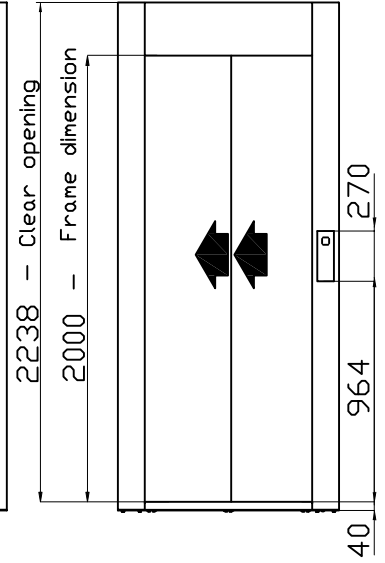
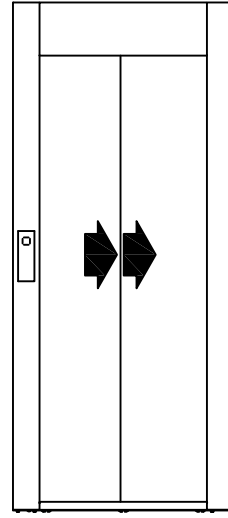
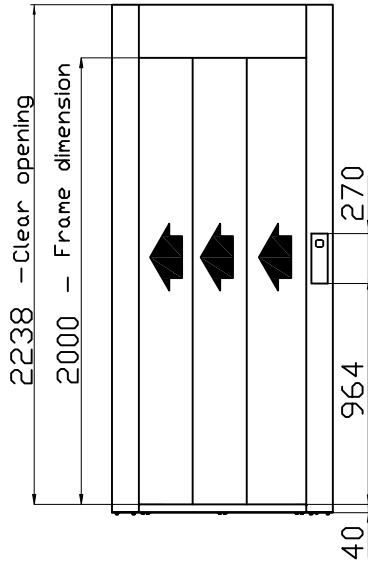
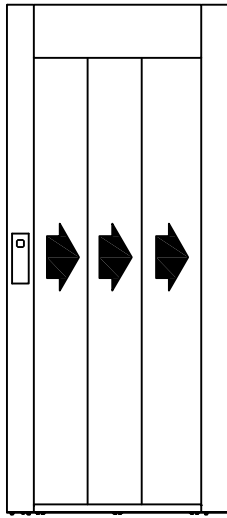
SLIDING DOOR TYPE

LEFT SIDE TWO-SPEED
TELESCOPIC DOOR (T3)

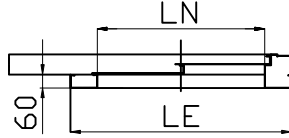
RIGHT SIDE TWO-SPEED
TELESCOPIC DOOR (T3)

LEFT SIDE TWO-SPEED
TELESCOPIC DOOR (T2)

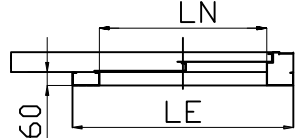
RIGHT SIDE TWO-SPEED
TELESCOPIC DOOR (T2)



LN	LE
700	940
750	990
800	1040
900	1140



LN	LE
700	940
750	990
800	1040
900	1140



LN = CLEARANCE